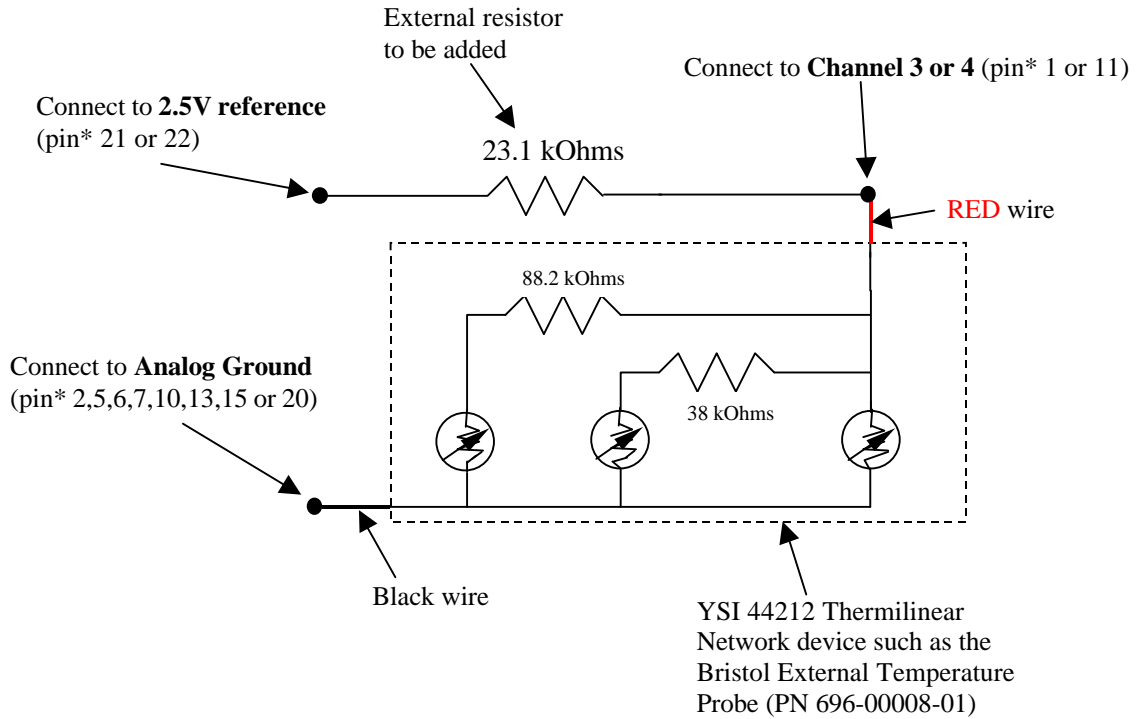


APPLICATION NOTE: Connection of YSI 44212 Thermilinear Network to PDAS-II data logger.

SCOPE: This application note pertains to the connection of YSI 44212 Thermilinear Network, and all devices based on the 44212 such as the **Bristol external temperature probe (PN 696-00008-01)**, to the PDAS-II data logger.



*Pin numbers refer to the 28-pin AMP CPC connector that is present on all PDAS-II units for the Analog Input System (AIS).

For units equipped with the **TS-AIS/PNL** or **TS-AIS/DIN** terminal strip options, simply make the connections shown in the schematic above to the proper terminal.

You must enter a *Conversion Equation* in order to convert the raw data from the sensor to units of temperature. This is done when the sensor is set-up for logging in the *Sensor Log Table* menu using the proper values for OFFSET and SCALE. For degrees °C these values are as follows:

SCALE: -71.54

OFFSET: +106.06

The *Sensor Log Table* menu prompts as follows:

Enter sensor equation type 0

0 – none

1 – SCALE * value + OFFSET

Select '1' then enter the proper values for SCALE and OFFSET as shown above.