



User Reference Manual
for
Pliant Data Logger Product Line

Covers: PDAS-II
& Options: B696, B697, TGT-1, PSE, PSE/D

Hardware Revision C and D
Firmware 1.0

Updated: May 24, 2000

Web page at <http://www.amassdata.com>

TABLE OF CONTENTS

1. AMASSER PDAS-II.....	3
1.1. STANDARD FEATURES.....	4
1.2. OPTIONS	5
2. BUILT-IN SHAFT ENCODER: OPTION PSE/D	6
2.1. QUADRATURE ENCODER -PRINCIPLE OF OPERATION.....	6
2.2. PSE/D DISPLAY OPERATION.....	7
3. BUS PROTOCOL.....	8
3.1. DAS COMMUNICATIONS PROTOCOL.....	8
3.2. SDI-12 PROTOCOL	9
3.3. SDI-12 COMMANDS	9
4. OPERATION	10
4.1. JUMPER CONFIGURATIONS	10
4.2. GETTING STARTED	12
4.3. HOST MENU OPERATION.....	13
4.3.1. Main Menu: SET DATE AND TIME	15
4.3.1.1. Main Menu: GOES TGT-1 SETUP.....	16
4.3.1.2. Main Menu: GOES B697 Setup	23
4.3.1.3. Main Menu: GOES B696 Setup	29
4.3.2. Main Menu: VIEW DATA	35
4.3.3. Main Menu: SENSOR LOG TABLE	35
4.3.3.1. Internal Sensors	41
4.3.4. Main Menu: LOG FILE RETRIEVAL.....	43
4.3.5. Main Menu: SENSOR ALARM TABLE	46
4.3.6. Main Menu: SYSTEM SETUP	49
4.4. GOES DATA RETRIEVAL	53
4.4.1. GOES Data Interpretation.....	54
4.5. DIRECT COMMUNICATIONS COMMANDS	56
5. INSTALLATION	59
5.1. MECHANICAL	59
5.1.1. Shaft Encoder Setup	59
5.2. ELECTRICAL	59
5.3. CONNECTORS	59
6. MAINTENANCE	64
7. SPECIFICATION	65
APPENDIX A: COMMUNICATIONS ERROR MESSAGES	66
APPENDIX B: GOES BRISTOL B697 MODE TABLE.....	67
APPENDIX C: PSE SHAFT ENCODER COMMANDS.....	68
APPENDIX D: MODE CODES FOR EVENT COUNTERS	69
APPENDIX E: PDAS DATA FORMATS	70
APPENDIX F: PDAS-II CIRCUIT BOARD.....	71

PDAS-II

AMASSER Pliant Data Acquisition System *Pliant Technology Specialists*

Pliant: readily yielding to influence

1. AMASSER PDAS-II

The PDAS product line features intelligent data collection platforms with built-in menu facility that guides the operator through log set-up procedures and data retrieval procedures directly from a laptop, or via a modem, or even via GOES telecommunications. These procedures are accomplished with any standard ASCII communications package such as PROCOMM or simply a dumb terminal emulator and is thus not dependent on the Operating System of the host. This is a great advantage over many of today's products that are configured specifically to operate with a given system and where compatibility is always an issue.

This manual covers the operation of our high level logger, the PDAS-II, with its firmware options. The standard PDAS-II comes with firmware providing modem support (**MDM**), however, it is also available with the firmware options listed in section 1.2 Options. The user simply selects the desired firmware using the proper configuration of jumper block "JB2" as shown in section 4.1 Jumper Configurations. Here are the firmware options:

- **B696** : This firmware provides GOES telecommunications support for Bristol B696 transmitters on the auxiliary port.
- **B697** : This firmware provides GOES telecommunications support for Bristol B697 multi-channel transmitters on the auxiliary port.
- **TGT-1** : This firmware provides GOES telecommunications support for Telonics TGT-1 transmitters on the auxiliary port

Standard features of the PDAS-II include 1 MegaByte of Archive Flash memory storage providing 32,768 32 byte records and a real time clock with date/time stamp facility for minimum/maximum and averaged sensor data. Two SDI-12 ports providing support for up to 20 sensors. One RS232 programming port for set-up and on-site communication and one auxiliary communications port providing continuous connection to external modem or GOES transmitter. One switched 12VDC power port for sensor activation.

It also includes our on-board AIS (Analog Input Subsystem) for monitoring the following maintenance parameters:

- Primary source voltage,
- Lithium battery voltage,
- and Internal temperature,

Also pre-configured with two external temperatures (deg. C or F), one external 0-20V input (monitors 9V backup battery on combo units) and two external 0-5V inputs. The A/D provides these inputs with 18-bit resolution. Outputs of 2.5V & 5V reference and a 250 microAmp constant current source are provided.

The on-site capability of the AMASSER PDAS data acquisition system to acquire, process, store and, as required, transmit data via available communication systems will increase the user's flexibility in the operation of the various data acquisition programs under their control. Probably of even greater importance is that the timeliness and cost effectiveness with which this data can be delivered to the user community will provide the incentive for a reevaluation of our ability to manage our ever-changing natural resources.

The AMASSER PDAS Data Acquisition System is provided with a real time multi-tasking operating system kernel capable of providing both a time and event driven environment in which data is collected, processed, logged and distributed across multiple mediums reliably. This firmware also uses the power saving support of both the idle and power down modes available on the processor to allow savings in both the size and the price of the power source equipment needed to run your requirements. This environment supports multiple tasks executing on a single processor and prevents problems such as loss of data or loss of communications when two or more events occur in the same time frame.

1.1. Standard Features

The following summarizes the standard features of the PDAS-II:

Hardware Features:

Name	Description
AIS	On-board Analog Input System for monitoring the following maintenance parameters: Primary source voltage, Lithium battery voltage and Internal temperature. Also pre-configured with two external temperatures (deg.C or F), one external 0-20V input and two external 0-5V inputs. The A/D provides these inputs with 18 bit resolution. Outputs of 2.5 & 5V reference and a 250 microAmp constant current source are provided. Includes 2 event counters

Plus the following:

- 2 master SDI-12 Serial Digital Interface (20 sensor support) ports labeled Channel A and B
- One switched +12VDC power port for sensor activation 100 msec prior to sampling
- RS-232 Programming Port programmable from 300 to 19200 baud
- Auxiliary communications port for **GOES** and/or **Modem support** (300 to 19200 baud)
- 1 Mbyte Non-Volatile Flash memory Log File providing 32,768 records (32 byte records)
- Event & time based data acquisition with a multi-tasking OS
- Low power consumption through the use of power-down mode
- Lithium battery back-up for 32 kbyte RAM
- Real Time Clock for date/time stamping of instantaneous, **averaged** and min/max values

Firmware Support Providing:

- Sensor Log Table with 16 sensor slots for the attached SDI-12 sensors and individual setup for:
 - ⇒ User defined sensor Label
 - ⇒ Sample period setting (minutes : seconds)
 - ⇒ Command string for measurement initialization of SDI-12 sensors
 - ⇒ Conversion equations with Offset and Scale
 - ⇒ Instantaneous or Average log value (record period in hour : minutes)
 - ⇒ Minimum, Maximum log record period (hour : minutes)
 - ⇒ Sensor sample Start Time (hour : minutes)
- 32,768 log records, each 32 bytes in length containing Date & Time, User-defined Label and Data
- View Data Facility (selected sensor data written to Host Terminal at a user-defined rate, real-time)
- SDI-12 Transparent Mode (Manual SDI-12 Communications)
- Master SDI-12 task engine, auto retries, auto data buffer retrieval & auto command time-outs
- User-selectable data formats for log retrieval: AMASS Data Standard Format or Environment Canada “Sequential” Format
- PDAS firmware support for **ALARM** functions that have the ability of triggering a new logging rate or reading another sensor.
- Data Log Retrieval through standard Comm Packages (ie Procomm) or a dumb terminal emulator

1.2. Options

The following summarizes the **FIRMWARE OPTIONS** of the PDAS-II:

Name	Description
/TGT-1	Firmware providing support for Telonics TGT-1 GOES transmitter via the PDAS-II auxiliary communications port including comprehensive initialisation and diagnostics routines.
/B697	Firmware providing support for Bristol B697 GOES transmitter via the PDAS-II auxiliary communications port including comprehensive initialisation and diagnostics routines.
/B696	Firmware providing support for Bristol B696 GOES transmitter via the PDAS-II auxiliary communications port including comprehensive initialisation and diagnostics routines.

The following summarizes the **HARDWARE OPTIONS** of the PDAS-II:

Name	Description
TS-SDI/DIN	AMASSER SDI-12 Expansion Terminal strip with 36 screw terminals, 75m x 120mm DIN rail mountable, 20 SDI-12 sensor support plus cable.
TS-AIS/PNL	Terminal strip with 36 screw terminals, 75m x 120mm, mounted on the logger enclosure for hook-up of analog inputs and outputs.
TS-AIS/DIN	Terminal strip with 36 screw terminals, 75m x 120mm, DIN rail mountable for hook-up of analog inputs and outputs.
PSE	Built-in shaft encoder for the PDAS-II. Note that this is in fact the AMASS Data PSE-SDI incorporated into the same casing. It features a resolution of 1/384 th of a revolution.
PSE/D	Same as the /PSE option except that it also features an 8-digit display and two operator interface switches. Refer to section 2. Built-in Shaft Encoder: Option PSE/D.
PMDM	Built-in PMDM Environmental Modem. Very-low power mode, powered by 12VDC, operating temperature of -40 to +65C, 9600 baud or 14.4 kbaud. Refer to documentation for PMDM .
PMDM/V	Built-in PMDM/V Environmental Voice Modem. The PMDM described above with voice interface for telephone call-ins. Refer to documentation for PMDM/V .

2. Built-in Shaft Encoder: Option PSE/D

The built-in shaft encoder, i.e. option “PSE/D”, is in fact the AMASS PSE-SDI/D incorporated into the same casing. The PSE-SDI/D features a display and double-position switches, which enable the user to operate as well as setup the shaft encoder for use. For complete details of this sensor please refer to the datasheet for the PSE-SDI/D.

The resolution of the encoder is 1/384th of a revolution (minimum); when used as a stream stage indicator with a 375 mm circumference pulley, the resolution of the system is 0.98 mm. It is a two channel optical incremental encoder that contains a lensed LED source, integrated detectors, and a codewheel which rotates between the emitter and the detector. The PSE-SDI/D\Ev firmware provides pulsed LED driver and an adaptive signal transition detector to provide the 4x quadrature decoder function. This technique, in conjunction with idle power-down mode of the processor, drops the encoder's current consumption from 45 milliamps to 2.3 milliamps. A HUGE power savings.

There are no mechanical contacts involved in the measurement process; the only contacting moving parts are the precision shaft bearings. The starting torque is low -- 0.65 inch-oz (47 cm-g) or less -- and the system is not sensitive to vibration. It is tested to operate from -40C to +55C, and up to 100% relative humidity.

2.1. Quadrature Encoder -Principle of Operation

The on-board microcontroller and firmware follows the shaft rotation; each transition of either of the quadrature inputs adds or subtracts a count to a 16 bit stored value representing the position of the shaft and therefore the fluid level. A set-up parameter called *scale* is provided to allow the application of a standard-circumference pulley and tape so that the accumulated count represents an accurate fluid level. If using a 375mm-circumference pulley for instance, the accumulated count would directly indicate a fluid level in metres by setting the *scale* = 0.375. The output from the microprocessor is the ASCII code representation calculated to three decimal places and is equal to the position value stored in the internal register divided by 384 (Model K encoder). The output will be a decimal value in the range +/-999.999 units. The encoder's scale and offset are set using the menu system described in Main Menu: SYSTEM SETUP.

For example, if you are using a 375mm-circumference pulley and you wish to measure the stage in metres above sea level you would enter a “scale” of 0.375 and an “offset” equal to the stage level above sea level at setup time. If the measured stage is 101.225 metres above sea level at setup time, you would enter an “offset” of 101.225 and the unit will now track your stage in meters above sea level.

2.2. PSE/D Display Operation

The 8 digit display and two double-position switches control the display and setup of parameters of the built-in shaft encoder. The setup parameters are only accessible however once the correct password has been entered. The front of the unit appears as in Fig.1.

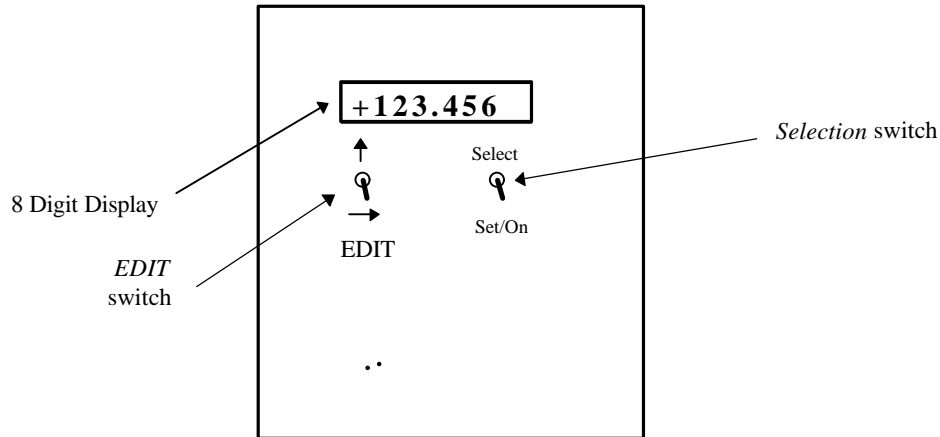


Fig.1 Front view of built-in display.

The four switch positions allow the user to display the current fluid level and event as well as setup the following parameters: the encoder offset and scale, the scale and mode of the event counters, and the node address for SDI-12 communications.

The right switch is used to *select* the parameter to be displayed and/or altered. It is also used as an enter key to *set* the new values of setup parameters, and as an *on* switch for the display. The left switch allows the user to *EDIT* the value displayed at the screen. The lower position of this switch is labeled with a right-arrow and is used to select the digit that is to be edited; the “active” digit is the one flashing on the screen. The upper position, which is labeled with an up-arrow, edits the active digit by scrolling through the available options: 0, 1, 2, 3, 4, 5, 6, 7, 8, 9, ., +, -, .

To use the display to view the current fluid level or event counts simply turn it on with *set/On*. The current fluid level appears. The value of both event counters can then be viewed in turn by using *select*. Note that the event counters are displayed by flashing the label “EVENT 1” or “EVENT 2” followed by its corresponding value. To return to the fluid level display use *select* until “PASSWORD” appears, then once more for the initial display of the fluid level.

To begin the setup of the built-in shaft encoder using the display (setup can also be done using its SDI-12 capability and a DCP or portable computer) switch it on with *set/On*. The current encoder position, i.e. water level, is displayed. Now use *select* until “PASSWORD” appears then use *set/On* (“+000” appears). The default password of “+000” can now be edited to your own using the *EDIT* switch. When entering the four-character password the following characters are valid: 0, 1, 2, 3, 4, 5, 6, 7, 8, 9, ., +, -, <space>. The password can only be viewed or altered from the display and must be entered correctly to view the remaining setup parameters. Note that the correct password that was entered to gain entry to the setup parameters can be viewed as long as the display has not switched off with the auto power-off feature (see below). If the display does shut off however, and is turned back on “PASSWORD” will display the default value, namely “+000”, which must be edited once again to obtain access. Never forget your password otherwise you will not be able to change the setup parameters from the display at a later date. In the event that it is forgotten contact AMASS Data Technologies Inc.

When the correct password is entered use *set/On*, then *select* to view the parameter labels in turn: offset, scale, node address, scale of event counter 1, scale of event counter 2 and event counter mode. Use

set/on to view the current value of any one of these parameters. For instance, to display the value of the encoder scale use *select* until the word “scale” appears, then trigger *set/on*. If you then wish to change its value from, say, +0.375 m to -0.375 m because of the direction of shaft rotation (see 3.3.2 *Set Encoder Scale* of the PSE-SDI user manual) use the *EDIT* switch. Note that the left-most character, the “+” sign, is flashing. The up-arrow edit switch can now be used to obtain the character that you require, i.e. the “-“ sign. The value that now appears is -0.375 and it may be entered by using the *set/on* switch. If the remaining digits had to be changed one would use the right-arrow edit switch to shift the active position on the display from left to right. For example, if the offset is to be changed from +0.000 to +10.123 use the right-arrow to edit each digit in turn from left to right.

From the above it will be noted that the operation of this display is very simple and practical and is in fact much easier to use than to describe. It is a good practice however, to review the values following a setup session in order to be assured that they were entered properly. In particular, it should be noted that when entering values for the offset and scale the decimal point must be entered as these parameters are floating point variables. The “+” or “-“ sign must also be entered for these parameters. For instance, a scale of +1.000 may be entered as “+1.” but not as “+1”, “1.” or “1”. Use *set/on* repetitively to review the list of parameters and their respective values.

As noted, the value of a parameter is displayed and entered using *set/on*. If the value that is displayed is correct it may be left unaltered by simply reentering it using *set/on*. On the other hand, any changes made to a value that has not yet been saved may be disregarded by using *select*.

The built-in shaft encoder is an SDI-12 device and as such allows all of the above to be accomplished via communication with a DCP or portable computer (see *APPENDIX C: /PSE Shaft Encoder Commands*). In addition, the SDI-12 also allows you to obtain minimum/maximum encoder data; a feature not incorporated on the display. The node address by which SDI-12 communication takes place is among the parameters that may be set on the display. This is done in the same manner as with the other parameters: *select* the parameter to be edited, i.e. “Node Adr”, use *set/on* to view its current value, use the *EDIT* switch as required, then enter the value using *set/on*. Given that ten SDI-12 devices may be supported on a given bus, the node addresses are numbered from 0 to 9.

The display comprises an auto power-off feature. It switches the display off following an inactive period of approximately 5 minutes in order to save energy. Note that although the built-in shaft encoder consumes as little as 2.5 mA when the display is off the current consumption is about 90 mA when it is on.

3. Bus Protocol

3.1. DAS Communications Protocol

All information that is relayed between the user and PDAS loggers is accomplished by means of the DAS communications protocol. This protocol results in messages being transferred in a RS232 data stream and uses relaxed timing and no break handling. Each command or response is simply terminated with the *carriage return* character. When operating the PDAS, however, the details of the protocol are far removed from the user as this product is menu-driven which allows one to interact in a user-friendly manner without having to be concerned with details such as command syntax.

In order to communicate directly with SDI-12 sensors from the host, i.e. the SDI-12 transparent mode, the SDI-12 commands are basically encapsulated into the DAS protocol.

3.2. SDI-12 Protocol

The two SDI-12 ports on the PDAS loggers, which are labeled Channel A and B, provide support for up to 20 SDI-12 sensors. Any communication between an SDI-12 sensor and the PDAS must employ the SDI-12 protocol. Any communication between an SDI-12 sensor and the host PC must employ, in “transparent mode”, the SDI-12 protocol. The “transparent mode” allows the user to send and receive SDI-12 messages via the DAS protocol by encapsulating the SDI-12 string into the RS-232 data stream.

SDI-12 sensors may be monitored and logged as well as accessed for immediate and real-time data. If the user wishes to access the sensors for real-time data he/she must enter “transparent mode” as explained in 4.3.6 Main Menu: SYSTEM SETUP. In order to monitor and log data from sensors the user must assign them to “slots” in the “sensor log table” as explained in 4.3.3 Main Menu: SENSOR LOG TABLE. In the case of SDI-12 sensors, the logger sends the appropriate SDI-12 command to initiate a measurement and automatically performs any breaks, D commands, retries, etc... as required by the SDI-12 protocol. It then logs the value that it retrieved into the log file. What follows is an overview of the SDI-12 protocol. **For detailed information on SDI-12 protocol visit the SDI-12 Support Group’s web-site via our home page at <http://www.amassdata.com>.**

In order to initiate communication with an SDI-12 sensor, the controller sends a "break" signal, which consists of sending a spacing signal (5 V) for more than 12 millisecond. This will wake all sensors connected to the line. The controller then sends an SDI-12 command. The format of each byte of data is 1 start bit, 7 data bits with the least significant bit first, 1 parity bit with even parity, and 1 stop bit. The first significant byte of any message is the address of the sensor; all sensors with different addresses return to the "sleep" state and ignore the rest of the command. The last character of a command is always "!", and the controller turns off its transmitter within 7.5 millisecond after sending the "!". The sensor responds by setting the data line to marking (0 V) for 8.33 millisecond, and then begins its response. The first bit of the response must be sent within 15 millisecond of receiving the last byte of the command.

Any SDI-12 device may be connected to the SDI-12 ports. For example, with the AMASSER PSE-SDI Shaft Encoder the current value of the water level, stream stage, or other quantity being measured may be retrieved by sending a start measurement command, that is, “aM0!”. The PSE-SDI maintains in its memory a number which represents the current water level so that upon receiving the "Measure" (aM0!) command from the PDAS-SDI, it transfers this value to the output buffer in the required ASCII format based on the offset and scale parameters; and upon receiving the "Send Data" (aD0!) command, the value from the output buffer is returned to the controller.

3.3. SDI-12 Commands

As detailed in the section 4.3.3 Main Menu: SENSOR LOG TABLE, in order for the PDAS to log data from an SDI-12 sensor the user must enter the proper command for the *sensor command* in the sensor log table. Refer to the user manual of the SDI-12 sensor to obtain the command that is to be used.

The menu system also allows the user to enter manual SDI-12 transparent mode. In this mode any SDI-12 command may be sent manually for interrogation and retrieval of real-time data from sensors mounted to the SDI-12 ports, provided that the sensor in question supports the command. Refer to 4.3.6 Main Menu: SYSTEM SETUP for details on this feature of the PDAS.

When communicating with sensors the PDAS will display an error message in the event that a proper response was not received. Refer to APP.A for a listing of these error messages.

4. Operation

4.1. Jumper Configurations

As mentioned in the introduction to this manual, the PDAS-II comes with several firmware options. Any given firmware option of the PDAS-II resides in one of the 8 slots of the Am29F040 EEPROM. If your logger was ordered with more than one firmware option, you must configure jumper block “JB2” for the desired slot of the EEPROM. In this way, the PDAS-II is in effect several loggers in one. If only one firmware resides in your logger it would have been shipped with the proper jumper configurations.

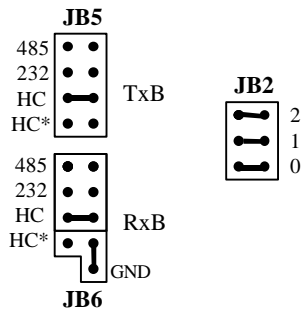
When selecting the desired firmware to run on the logger, the auxiliary communications port must be configured for the device that is to be connected. This configuration is accomplished with jumper blocks JB5 and JB6.

What follows is the proper jumper configurations of JB2, JB5 and JB6 for firmware options **MDM**, **B696**, **B697** and **TGT-1**. In order to make changes to the jumper configuration of your logger simply disconnect the power from the unit, unscrew the front panel and select the proper configuration for the desired firmware. To locate jumper blocks JB2, JB5 and JB6 please refer to *APPENDIX F: PDAS-II CIRCUIT BOARD*.

MDM firmware:

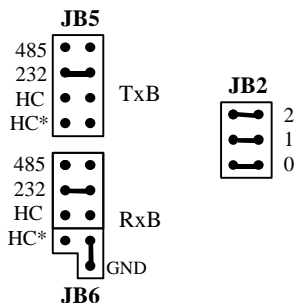
...with PMDM AMASS Data Environmental Modem

The **MDM** firmware is located in slot #0 of the EEPROM therefore JB2 is set to 0 (note that installed jumpers represent zero on this block). The PMDM modems require both TxB and RxB set for HCMOS communications as shown below. Note that HCMOS* must be grounded on RxB.



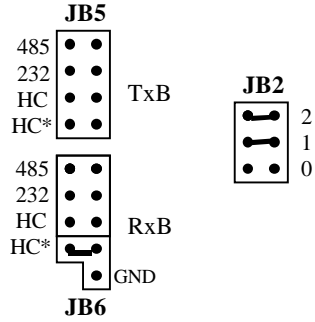
...with external RS232 modems:

The **MDM** firmware is located in slot #0 of the EEPROM therefore JB2 is set to 0 (note that installed jumpers represent zero on this block). RS232-based modems require both TxB and RxB set for RS232 communications as shown below. Note that HCMOS* must be grounded on RxB.



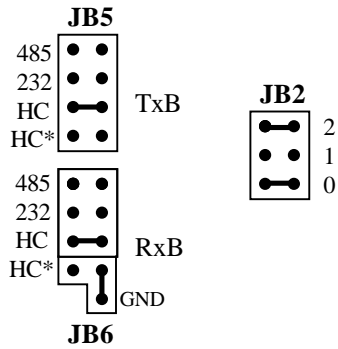
B696:

The **B696** firmware is located in slot #1 of the EEPROM therefore JB2 is set to 1 (note that installed jumpers represent zero on this block). RxB requires HCMOS* whereas TxB requires no jumpers.



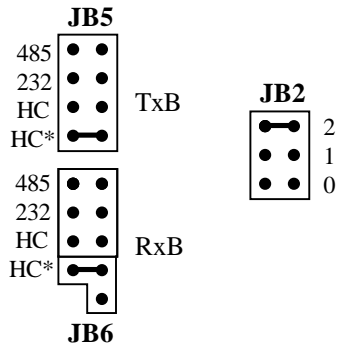
B697:

The **B697** firmware is located in slot #2 of the EEPROM therefore JB2 is set to 2 (note that installed jumpers represent zero on this block). Both RxB and TxB require HCMOS. Note that HCMOS* must be grounded on RxB.



TGT-1:

The **TGT-1** firmware is located in slot #3 of the EEPROM therefore JB2 is set to 3 (note that installed jumpers represent zero on this block). Both RxB and TxB require HCMOS*.



4.2. Getting Started

As mentioned in the introduction to this manual the PDAS does not have host OS requirements. All that is required is a dumb terminal emulator with capture capability. What follows is the procedure for initiating a dumb terminal emulator with Windows 95 (Updated Edition) as this is the most commonly used OS on the market at this time. A similar procedure can be accomplished on any other OS that allows the user to run a dumb terminal emulator.

- Click on *Start* then go to *Programs* → *Accessories* then click on *HyperTerminal*
- Click on the *Hypertrm* icon
- Type the name “amasser” in the window and select an icon. Click *OK*

The steps that follow differ slightly whether the user is connecting via modem or without modem. Follow these steps **WITHOUT MODEM**:

- In the window labeled “Connect using” select “Direct to com #”, where # is your com port connection. Click *OK*
- Select a baud rate of 9600, 8 data bits, no parity bits, 1 stop bit, no flow control then click *OK*
- Set the font by clicking on *View* on the menu bar, then on *Font...* Select the font, “Courier”, the font style, “Regular”, and the size, “8” (suggested font only). Click *OK*. Proceed to ***.

OR WITH MODEM:

- In the window labeled “Connect using” select the modem of your choice, such as “Standard Modem” or “Modem at Com#2” for example.
- Enter the phone number and area code to be dialed to access the logger then click *OK*.
- Click on *Modify*. Click on *Configure*. In the section labeled *Maximum Speed*, select the baud rate to be 9600.
- Click on the tab labeled *Connection*. Select 8 data bits, no parity bits and 1 stop bit.
- Click *OK*. Click *OK* again, then finally click on *Dial*.
- Once connected the user may wish to change the font. Click on *View* on the menu bar, then on *Font...* Select the font, “Courier”, the font style, “Regular”, and the size, “8” (suggested font only). Click *OK*. Proceed to ***.

*** The terminal window should now appear. To have a record of the session the user must:

- Click on *Transfer* on the menu bar, then on *Capture text...*
- Type a path and file name for the new session then click on *Start*

The ensuing transaction between host and PDAS will now be recorded in the capture file for later perusal. When the session has terminated simply click on the “Disconnect” button on the toolbar, close the emulator window and open the capture file which now contains the entire hosting session. Note that upon closing the emulator window a message such as “Do you want to save session AMASSER?” will appear. Click *Yes*. An icon with the label “amasser” should then appear. This icon may be dragged onto the desktop if so desired. To initiate any future sessions the user need only click on the icon.

Note that although the baud rate of the programming port defaults to 9600, it is in fact programmable from 300 to 19200 baud and is accomplished from the *System Setup* submenu (see below).

Now that the emulator window is on the screen and that the “Capture text” has been initiated the user can begin using the menu system as described in the following section.

4.3. Host Menu Operation

The PDAS uses a password protection system for safeguarding the unit from intruders. This system comprises two levels of access entitled “ENTRY” and “PROGRAM”. Assuming the user has set-up a dumb terminal emulator as explained in section 4.2 Getting Started (or is using a communications program such as *PROCOMM*), and that the proper jumper configurations have been made as shown in 4.1 Jumper Configurations, he/she may then initiate the menu¹ by simply pressing the “enter” key and entering the correct “ENTRY” password. The default “ENTRY” password is “AMASSER” (yes, it is case-sensitive). Failure to enter the correct password will prevent entry into the menu system as follows (the bold lettering represents the program’s output whereas the regular font represents the user’s input) :

ENTRY password please:

colombo<CR>

ENTRY password please:

amasser<CR>

ENTRY password please:

AMASSER<CR>

After entering the correct “ENTRY” password, introductory information is displayed after which the Main Menu appears. The Main Menu is as follows:

```
----- MAIN MENU -----  
1 SET DATE & TIME  
2 VIEW DATA  
3 SENSOR LOG TABLE  
4 LOG FILE RETRIEVAL  
5 SENSOR ALARM TABLE  
6 SYSTEM SETUP  
7 exit
```

The only options available to the user at this point are items ‘2’ and ‘4’. The other options are only accessible once the “PROGRAM” password is entered as such:

**Enter PROGRAM Password -
MODIFY**

Note that the default password in this case is “MODIFY”. This latest entry gives the user unrestricted access with respect to configuring or modifying any parameters whereas the “ENTRY” password enables only viewing and downloading of the log file. In order to terminate the higher level of access (PROGRAM), the user must select ‘7 - exit’ from the main menu. The “ENTRY” password may then be reentered in order to proceed with viewing or downloading data.

Note that to change the password the user must select item ‘6’ as described in 4.3.6 Main Menu: SYSTEM SETUP.

¹ Refer to “4.5 Direct Communications Commands” for non-menu based operation.

Each of the options of the Main Menu presents a sub-menu to perform desired actions which are described in more detail in the following sections.

Item **1 SET DATE & TIME** allows the user to set the date and time of the logger for models not equipped with GOES telecommunications support (section 4.3.1 Main Menu: SET DATE AND TIME). For loggers with GOES support, this menu item appears as either **1 GOES TGT-1 SETUP** or **1 GOES B697 SETUP** or **1 GOES B696 SETUP** depending on the type of transmitter your logger supports (see *Specifications* for the list of GOES transmitters supported). These are used to completely configure the GOES system (sections 4.3.1.1, 4.2.1.2 or 4.2.1.3).

With item **2 VIEW DATA** the user can view the instantaneous value of sensor data in real-time. For example, the instantaneous shaft position of an encoder or the current internal temperature may be displayed (section 0).

Item **3 SENSOR LOG TABLE** is used to setup the sensor log: assigning sensors to log slots, setting sampling rates and time intervals for both log entries and min/max entries (section 4.3.3).

Item **4 LOG FILE RETRIEVAL** allows the user to retrieve records from the log file based either on the number to be retrieved or the date of the oldest record (section 4.3.4).

Item **5 SENSOR ALARM TABLE** is used to configure alarms (section 4.3.5).

Item **6 SYSTEM SETUP** is for communications and sensor parameters such as configuring the PDAS for GOES operation (section 4.3.6).

The menu system also features a **communications watchdog**. The watchdog provides added security in the event that a user forgets to properly exit the menu system. It uses a delay of about 5 minutes so that the user is automatically exited from the menu if he/she has not made an entry in that period of time.

4.3.1. Main Menu: SET DATE AND TIME

This selection requires PROGRAM-password clearance (see section 4.3 Host Menu Operation).

When the menu is initiated, the introduction displays the product name and author as well as the current date and time, unit ID number, site description as well as GMT time and GOES platform address for units equipped with GOES support (see below). This information is stored in the RAM which is safeguarded by the Lithium battery. The user may alter these parameters (not the product name and author of course) by selecting item **1 SET DATE AND TIME** of the main menu. Doing this prompts the user for a new entry by displaying the current value of each parameter in turn. You may respond by typing a new value or by simply pressing the “enter” key to leave the current value unchanged.

⇒ For example, if the date and time are to be set the user would select **1 SET DATE AND TIME** from the Main Menu and interact in the following manner:

```
DATE: 1997/06/03  
1997/06/04<CR>  
DATE: 1997/06/04 <CR>  
TIME: 11:42:34  
11:43:34<CR>  
TIME: 11:43:34 <CR>
```

Where ‘<CR>’ is the “enter” key. Note that changes are confirmed by “echoing” the new value (the bold lettering represents the program’s output whereas the regular font represents the user’s input). Values that are to be left unchanged are not “echoed” once you press the “enter” key.

FOR LOGGERS EQUIPPED WITH GOES SUPPORT, selection 1 appears as **1 GOES TGT-1 SETUP** or **1 GOES B697 SETUP** or **1 GOES B696 SETUP** depending on the options implemented on your logger. All setup of the GOES systems are accomplished from this selection and differ slightly on the type of transmitter supported by your logger (TGT-1, Bristol B697 or B696). Please refer to the appropriate section that follows for configuring the GOES system.


4.3.1.1. Main Menu: GOES TGT-1 SETUP

Set JB2 to '011'. Set JB5 to 'HCMOS'. Set JB6 to 'HCMOS*'. See 4.1 Jumper Configurations.*

For models with GOES support for the TGT-1 transmitter, the *GOES TGT-1 SETUP* submenu allows the user to initialize as well as diagnose (refer to *DIAGNOSTICS*) the GOES system. All configurations of the GOES system are performed as described below.

By selecting item **1 GOES TGT-1 SETUP** from the Main Menu the user is presented with the option of configuring the GOES system via the auxiliary communications port:


```
1<CR>
--- GOES Transmitter TGT-1---
0 Initialization
1 Diagnostics
2 Enable Self-timed Transmissions
3 Enable Random Transmissions
4 Enable Both Xmit Modes
M Main Menu
```



To set-up the PDAS and TGT-1 transmitter for GOES transmissions use **0 Initialization**. While doing so, however, the transmitter is disabled from making transmissions. It is important therefore to rearm the transmitter following its initialization by using either of selections **2, 3** or **4** as required. The user should also verify the operational status of the transmitter following the initialization with **1 Diagnostics** (refer to section *DIAGNOSTICS*).

When using either **0 Initialization** or **1 Diagnostics** during the set-up of the GOES system, the user may return to the GOES main menu by pressing the <ESC> key. For example,

```
---GOES INITIALIZATION
0 Self-timed Mode
1 Random Mode
2 Set DATE & TIME
3 Set GOES Platform Address
4 Append String to GOES Buffer
M Main Menu
Esc Back to GOES Main
<ESC><CR>
--- GOES Transmitter TGT-1---
0 Initialization
1 Diagnostics
2 Enable Self-timed Transmissions
3 Enable Random Transmissions
4 Enable Both Xmit Modes
M Main Menu
```



4.3.1.1.A. INITIALIZATION

What follows is an example of an initialization of the GOES TGT-1 transmitter in **SELF-TIMED MODE** with the following parameters:

- GOES platform address: 48161450
- Transmission channel: 9
- Transmission interval: 3 hours
- Transmission offset time: 57 minutes past midnight GMT
- Transmission window length: 1 minute
- Satellite link parameter: Short preamble 0.98 seconds
- Greenwich Mean Time Offset: 4 hours (eg. transmissions from Québec on EDT)

⇒ 0<CR>

NOTE - ALL TRANSMISSIONS WILL BE DISABLED!!

Press Enter to Continue! ESC to go back!

<CR>

---GOES INITIALIZATION

0 Self-timed Mode

1 Random Mode

2 Set DATE & TIME

3 Set GOES Platform Address

4 Append String to GOES Buffer

M Main Menu

Esc Back to GOES Main

⇒ 0<CR>

Enter Self-Timed Xmtr Channel No. (1- 199)

09<CR>

Enter Self-Timed Xmtr Channel No. (1- 199) 09

<CR>

Enter Self-Timed Tx Interval (dd:hh:mm:ss)

00:03:00:00<CR>

Enter Self-Timed Tx Interval (dd:hh:mm:ss)

00:03:00:00

<CR>

Enter Transmission Offset Time (hh:mm:ss)

00:57:00<CR>

Enter Transmission Offset Time (hh:mm:ss)

00:57:00

<CR>

Enter Transmission Window Length

1 - 1 Minute Window

2 - 2 Minute Window

1<CR>

Enter Transmission Window Length 1

1 - 1 Minute Window

2 - 2 Minute Window

<CR>

Enter Satellite Link Parameters

0 Short Preamble 0.98 sec.

1 Long Preamble 7.3 sec.

0<CR>

Enter Satellite Link Parameters 0

0 Short Preamble 0.98 sec.

1 Long Preamble 7.3 sec.

<CR>

---GOES INITIALIZATION
0 Self-timed Mode
1 Random Mode
2 Set DATE & TIME
3 Set GOES Platform Address
4 Append String to GOES Buffer
M Main Menu
Esc Back to GOES Main

⇒ The date and time is set from **2 Set DATE & TIME** of the Initialization menu. For example:

DATE: 1999/03/03
1999/03/08<CR>
DATE: 1999/03/08
<CR>
Enter GMT Offset (hh:mm) 05:00
04:00<CR>
Enter GMT Offset (hh:mm) 04:00
<CR>
GMT Time: 14:53:12
RTC Time: 10:53:12
Enter RTC Time (hh:mm:ss)
10:54:05<CR>
GMT Time: 14:54:05
RTC Time: 10:54:05
Enter RTC Time (hh:mm:ss)
<CR>
Press Enter to start GOES Clock
<CR>

It is imperative for GOES operations that the time be entered accurately with respect to standard time. Note that the PDAS synchronizes its clock with that of the transmitter following every transmission, that is, immediately after the expiration of the transmission window.

⇒ The GOES platform address is set with **3 Set GOES Platform Address** of the Initialization menu:

3<CR>
Enter GOES Platform Address (8 hex digits) 34383136
48161450<CR>
Enter GOES Platform Address (8 hex digits) 48161450
<CR>

The transmitter must now **be rearmed in order for transmissions to take place.** This is done with **2 Enable Self-timed Transmissions.** In addition, the user would normally select **1 Diagnostics** from the GOES main menu in order to establish the status of the transmitter set-up. Please refer to DIAGNOSTICS.

A string may be appended to the GOES transmission for testing or other purposes with **4 Append String to GOES Buffer.**

What follows is an example of an initialization of the GOES TGT-1 transmitter in **RANDOM MODE** with the following parameters:

- Transmission channel: 4
- Random interval: 15 minutes.
- Satellite link parameter: Short Preamble 0.98 seconds

0<CR>

NOTE - ALL TRANSMISSIONS WILL BE DISABLED!!

Press Enter to Continue! ESC to go back!

<CR>

---GOES INITIALIZATION

0 Self-timed Mode

1 Random Mode

2 Set DATE & TIME

3 Set GOES Platform Address

4 Append String to GOES Buffer

M Main Menu

Esc Back to GOES Main

⇒ 1<CR>

Enter Random Xmtr Channel No. (1- 199)

04<CR>

Enter Random Xmtr Channel No. (1- 199) 04 <CR>

Enter Random Transmit Interval (hh:mm:ss)

00:15:00<CR>

Enter Random Transmit Interval (hh:mm:ss) 00:15:00 <CR>

Enter Satellite Link Parameters

0 Short Preamble 0.98 sec.

1 Long Preamble 7.3 sec.

0<CR>

Enter Satellite Link Parameters 0

0 Short Preamble 0.98 sec.

1 Long Preamble 7.3 sec.

<CR>

---GOES INITIALIZATION

0 Self-timed Mode

1 Random Mode

2 Set DATE & TIME

3 Set GOES Platform Address

4 Append String to GOES Buffer

M Main Menu

Esc Back to GOES Main


The user must ensure that the GOES platform address and that the date and time are correct. It is imperative for GOES operations that the time be entered accurately with respect to standard time.

NOTE that the transmitter **must now be rearmed in order for transmissions to take place.** This is done with **3 Enable Random Transmissions.** In addition, the user would normally select **1 Diagnostics** from the GOES Main Menu in order to establish the status of the transmitter set-up. Please refer **DIAGNOSTICS.**

4.3.1.1.B. DIAGNOSTICS

From the GOES main menu the user selects **1 Diagnostics** in order to establish if the transmitter is set-up as desired and that transmissions will take place as intended. As explained previously, the “GOES main menu” is obtained from the Main Menu by selecting **1 GOES TGT-1 Setup** as follows:

```
1<CR>
--- GOES Transmitter TGT-1---
0 Initialization
1 Diagnostics
2 Enable Self-timed Transmissions
3 Enable Random Transmissions
4 Enable Both Xmit Modes
M Main Menu
1<CR>
---GOES DIAGNOSTICS---
0 Current Configuration
1 Current GOES Time (hh:mm:ss)
2 Time to Next Tx
3 F&R Power Last Tx
4 Error Status
5 Reset Error Counter
6 Tx Buffer Status
M Main Menu
```



The diagram shows a horizontal line labeled "GOES Main Menu" with an arrow pointing down and to the left towards the "1 Diagnostics" option in the first menu.

The user is thus presented with choices that enable a complete diagnostics of the GOES.

⇒ Use **0 Current Configuration** to display the GOES set-up as follows:

```
0<CR>
GOES Platform Address 48161450
Self-Timed Channel 09
Tx Interval 00:03:00:00
Offset Time 00:57:00
Tx Window (minutes) 1
Random Channel 04
Tx Interval 00:15:00
Link Parameters - Short Preamble
Self-Timed Enabled - Random Disabled
```

If the above is different from the intended configuration the user uses **0 Initialization** to make any necessary changes. Note that Self-timed transmissions are enabled whereas Random transmissions are disabled in the above.

⇒ Select **1 Current GOES Time (hh:mm:ss)** as follows:

1<CR>

GMT Time 12:09:00 RTC Time 08:09:00

Note that the PDAS clock is synchronized to the GOES transmitter clock immediately following every transmission, that is, following the expiration of the transmission window. It is imperative for GOES operations that the time be entered accurately with respect to standard time.

⇒ Select **2 Time to Next Tx** as follows:

2<CR>

Time to Next Tx 00:01:03:25

The next transmission will take place in 1 hour, 3 minutes and 25 seconds. If the “time to next transmission” is a nonsensical value it usually means that the TGT-1 transmitter is not armed for transmission and/or that the TGT-1 transmission buffer does not yet have any data present. For example,

Time to Next Tx 00:63:63:EA

Such a display is a characteristic of the Telonics TGT-1 transmitter when its buffer is empty or the transmitter is disabled. To correct consider the following:

1. Ensure that the transmitter is armed (use, for example, **4 Enable Both Xmit Modes**),
2. Use **4 Append String to GOES Buffer** (*Initialization* Menu) so that the buffer is not empty.

Following these actions the correct “time to next transmission” should be displayed.

⇒ Select **3 F&R Power Last Tx** as follows:

3<CR>

F&R Power Last Tx F=145 R=28

where **F** : Forward transmission power

R : Reflected transmission power

These values are then entered into the following formula to determine the approximate percentage of power reflected as explained in the reference manual of the Telonics TGT-1 transmitter:

$$\begin{aligned}\% \text{ POWER REFLECTED} &= \left\{ \left(\frac{\text{RFL} + 17.4}{\text{FWD} + 17.4} \right)^2 * 100 \right\} - 1 \\ &= \left\{ \left(\frac{28 + 17.4}{145 + 17.4} \right)^2 * 100 \right\} - 1 \\ \% \text{ POWER REFLECTED} &= 6.82 \%\end{aligned}$$

⇒ Select **4 Error Status** as follows:

4<CR>

Error Status 01 1f-03,00-00,00-00,00-00,
 ↑ ↑
 Total error count Most recent

Which indicates that one error occurred with a command code of “1f” and error code of “03”. The error file stores the four most recent errors that occurred with the transmitter. For an explanation of the command and error codes please refer to page 1-4 and 2-8 of the TGT-1 user’s reference manual.

⇒ Select **5 Reset Error Counter** to clear the error file.

⇒ Select **6 Tx Buffer Status** as follows:

6<CR>

Select GOES Buffer

0 Self-timed Buffer

1 Random Buffer

0<CR>

Current Buffer Size (bytes) 150

Which indicates that the GOES buffer currently contains 150 bytes. As explained in the TGT-1 manual, although the Self-Timed and Random buffers are 2048 bytes each, the maximum amount of data per Self-Timed transmission is between 515 and 1344 bytes and is a function of Window Length and Preamble type as shown in Table 1-6 of that manual.


4.3.1.2. Main Menu: GOES B697 Setup

Set JB2 to '010'. Set JB5 to 'HCMOS'. Set JB6 to 'HCMOS' and 'HCMOS' to GND. See 4.1 Jumper Configurations.*

For models with support for Bristol B697 GOES transmitters, selection **1 GOES B697 SETUP** from the Main Menu allows the user to initialize as well as diagnose (refer to DIAGNOSTICS) the GOES system. All configurations of the GOES system are performed as described below.

By selecting item **1 GOES B697 Setup** from Main Menu the user is presented with the option of configuring the GOES system via the auxiliary communications port:

```
1<CR>
--- GOES Bristol Model 697---
0 Initialization
1 Diagnostics
2 ARM The Transmitter
3 Append String to GOES Buffer
M Main Menu
```



To set-up the PDAS and B697 transmitter for GOES transmissions use **0 Initialization**. While doing so, however, the transmitter is disabled from making transmissions. It is important therefore to rearm the transmitter following its initialization by using selection **2 ARM The Transmitter**. The user should also verify the operational status of the transmitter following the initialization with **1 Diagnostics** (refer to the next section, DIAGNOSTICS).


By using **3 Append String to GOES Buffer** the operator may attach a string to the data that is to be transmitted.

Note that the user can return to the GOES Main Menu following an initialization or diagnostics by using the <ESC> key. For example,

```
---GOES INITIALIZATION --
0 Set DATE & TIME
1 Set GOES Platform Address
2 Self-timed Mode
3 Alarm Rate Random Mode
4 Reset Goes Configuration
M Main Menu
Esc - Back to GOES Menu
```

<ESC><CR>

```
--- GOES Bristol Model 697---
0 Initialization
1 Diagnostics
2 ARM The Transmitter
3 Append String to GOES Buffer
M Main Menu
```



4.3.1.2.A. INITIALIZATION

What follows is an example of an initialization of the GOES B697 transmitter with the PDAS in SELF-TIMED MODE with the following parameters:

- Transmission channel: 9
- Transmission interval: 3 hours
- Transmission offset time: 57 minutes past midnight GMT
- Greenwich Mean Time Offset: 4 hours (eg. transmissions from North Bay on EDT)
- Mode P: Long preamble, 1 minute slot size, 1 PPM timing pulse.
- GOES platform address: 48161450

0<CR>

NOTE - ALL TRANSMISSIONS WILL BE DISABLED!!
Press Enter to Continue! ESC to go back!

<CR>

---GOES INITIALIZATION --

0 Set DATE & TIME

1 Set GOES Platform Address

2 Self-timed Mode

3 Alarm Rate Random Mode

4 Reset Goes Configuration

M Main Menu

Esc - Back to GOES Menu

⇒ 2<CR>

Enter Self-Timed Xmtr Channel No. (1- 199)

09<CR>

Enter Self-Timed Xmtr Channel No. (1- 199) 09

<CR>

Enter Self-Timed Tx Interval (hh:mm)

03:00<CR>

Enter Self-Timed Tx Interval (hh:mm) 03:00

<CR>

Enter GMT Offset (hh:mm)

04:00<CR>

Enter GMT Offset (hh:mm) 04:00

<CR>

Enter Transmission Offset Time (hh:mm)

00:57<CR>

Enter Transmission Offset Time (hh:mm) 00:57

<CR>

Enter MODE Character see TABLE 1

P<CR>

Enter MODE Character see TABLE 1 P

<CR>

---GOES INITIALIZATION ---

0 Set DATE & TIME

1 Set GOES Platform Address

2 Self-timed Mode

3 Alarm Rate Random Mode

4 Reset Goes Configuration

M Main Menu

Esc - Back to GOES Menu

⇒ Select **0 Set DATE & TIME** as such:

```
0<CR>
DATE: 1999/03/03
1999/03/08<CR>
DATE: 1999/03/08
<CR>
Enter GMT Offset (hh:mm) 05:00
04:00<CR>
Enter GMT Offset (hh:mm) 04:00
<CR>
GMT Time: 14:53:12
RTC Time: 10:53:12
Enter RTC Time (hh:mm:ss)
10:54:05<CR>
GMT Time: 14:54:05
RTC Time: 10:54:05
Enter RTC Time (hh:mm:ss)
<CR>
Press Enter to start GOES Clock
<CR>
```

Note that it is imperative for GOES operations that the time be entered accurately with respect to standard time. Note that the PDAS clock is synchronized to the GOES transmitter clock immediately following every transmission, that is, following the expiration of the transmission window.

⇒ Select **1 Set GOES Platform Address** as follows:

```
1<CR>
Enter GOES Platform Address (8 hex digits) 34383136
48161450<CR>
Enter GOES Platform Address (8 hex digits) 48161450
<CR>
```

The user must now **ARM The Transmitter** and enter the **Diagnostics** menu to determine if the configuration is as intended. To determine the proper **MODE** for the B697, please refer to *APPENDIX B*. Note that the user can press the <ESC> key to return to the GOES Main Menu after using the *Initialization* submenu.

⇒ If the user later wishes to reconfigure the GOES transmissions he/she can reset the system with **4 Reset Goes Configuration**:

```
4<CR>
The GOES configuration would then be reset. From the Diagnostics menu the current configuration would be displayed as thus:
```

```
GOES Address: 00000000
Self-Timed Channel 00
Tx Interval 00:00
Offset Time 00:00
Tx Window (minutes) 1
Link Parameters - Long Preamble
Self-Timed Disabled
```

What follows is an example of an initialization of the GOES B697 transmitter with the PDAS in **RANDOM MODE** with the following parameters:

- Transmission channel: 4
- An alarm rate random interval: 15 minutes.

0<CR>

NOTE - ALL TRANSMISSIONS WILL BE DISABLED!!
Press Enter to Continue! ESC to go back!

<CR>

---GOES INITIALIZATION

0 Set DATE & TIME

1 Set GOES Platform Address

2 Self-timed Mode

3 Alarm Rate Random Mode

M Main Menu

Esc - Back to GOES Menu

⇒ 3<CR>

Enter Random Xmtr Channel No. (1- 199)

04 <CR>

Enter Random Xmtr Channel No. (1- 199) 04 <CR>

Enter Alarm Rate Random Interval (hh:mm) 00:00

00:15<CR>

Enter Alarm Rate Random Interval (hh:mm) 00:15

<CR>

---GOES INITIALIZATION

0 Set DATE & TIME

1 Set GOES Platform Address

2 Self-timed Mode

3 Alarm Rate Random Mode

M Main Menu

Esc - Back to GOES Menu

The user must ensure that the GOES platform address and that the date and time are correct. It is imperative for GOES operations that the time be entered accurately with respect to standard time.

NOTE that the transmitter **must now be rearmed in order for transmissions to take place.** This is done with **2 ARM The Transmitter** from the GOES Main Menu. In addition, the user would normally select **1 Diagnostics** from the GOES Main Menu in order to establish the status of the transmitter set-up. Please refer to DIAGNOSTICS.

4.3.1.2.B. DIAGNOSTICS

The user selects **1 Diagnostics** in order to determine if the Bristol transmitter is armed for transmission, if the GOES clock is set correctly and to determine the time to elapse for the next transmission to take place. A diagnostic should always be performed following “initialization” of the transmitter.

As mentioned previously, the *GOES Main Menu* is obtained from the Main Menu with **1 GOES B697 Setup** as follows:

1<CR>

```
---GOES Bristol Model 697---  
0 Initialization  
1 Diagnostics  
2 ARM The Transmitter  
3 Append String to GOES Buffer  
M Main Menu
```

← GOES Main Menu

1<CR>

```
---GOES DIAGNOSTICS---  
0 Current Status  
1 Current GOES Time (hh:mm:ss)  
2 Time to Next Tx  
M Main Menu
```

← GOES Diagnostics Menu

⇒ Selection of **0 Current Status** from the Diagnostics Menu:

0<CR>

```
GOES Address: 12345678  
Self-Tmd Channel No. 09  
Self-Tmd Tx Interval 03:00  
Offset Time 00:57  
Random Channel No. 96  
Random Tx Interval 91:00  
Operational MODE P  
Goes Data Collection Enabled
```

The values as shown above represent the current configuration of the transmitter as stored in the logger. The B697 transmitter does not allow its current status values to be read, therefore, when the user selects **0 Initialization** and proceeds with the configuration of the transmitter, the PDAS stores these values locally so that they may be displayed with the **Current Status** function. For this reason these values may not necessarily represent the actual configuration as stored in the transmitter in the event that power interruption occurred and such. To ensure that the configuration is as intended, therefore, it is wise to reload these values into the transmitter. To do this simply select the appropriate items of the **Initialization** submenu (**1 Set GOES Platform Address**, **2 Self-timed Mode** and/or **3 Alarm Rate Random Mode**) and press *Enter* repeatedly until all the locally-stored values have been written to the B697 memory.

⇒ Selection of **1 Current GOES Time** from the Diagnostics menu:

1<CR>

GMT Time: 21:25:05 RTC Time: 16:25:05

Note that the PDAS clock is synchronized to the GOES transmitter clock immediately following every transmission, that is, following the expiration of the transmission window. It is imperative for GOES operations that the time be entered accurately with respect to standard time. To do this use the *Initialization* menu.

⇒ Select **2 Time to Next Tx** as follows:

2<CR>

Time to Next Tx 00:42:31

This indicates that the next transmission will take place in 42 minutes and 31 seconds. The transmitter is therefore armed and operating normally.

If the transmitter is disabled, (for example, following the use of the selection *Initialization*) the time to next transmission will appear as follows:

2<CR>

Time to Next Tx EE:EE:EE

The user must therefore arm the transmitter from the GOES main menu in order to enable transmissions to take place.


4.3.1.3. Main Menu: GOES B696 Setup

Set JB2 to '001'. Set JB6 to 'HCMOS' and 'HCMOS' to GND. See 4.1 Jumper Configurations.*

For models with support for Bristol B696 GOES transmitters, selection **1 B696 GOES SETUP** from the Main Menu allows the user to initialize as well as diagnose (refer to DIAGNOSTICS) the GOES system. All configurations of the GOES system are performed as described below.

By selecting item **1 B696 GOES Setup** from Main Menu the user is presented with the option of configuring the GOES system via the auxiliary communications port:

```
1<CR>
---GOES Transmitter B-696---
0 Initialization
1 Diagnostics
2 Enable Self-timed Transmissions
M Main Menu
```




To set-up the PDAS and B696 transmitter for GOES transmissions use **0 Initialization**. While doing so, however, the transmitter is disabled from making transmissions. It is important therefore to rearm the transmitter following its initialization by using selection **2 Enable Self-timed Transmissions**. The user should also verify the operational status of the transmitter following the initialization with **1 Diagnostics** (refer to the next section, DIAGNOSTICS).

Note that the user can return to the GOES Main Menu following an initialization or diagnostics by using the <ESC> key. For example,

```
---GOES INITIALIZATION
0 Set Date & Time
1 Set GOES Platform Address
2 Self-timed Mode
3 Append String to GOES Buffer
4 Reset Goes Configuration
5 TEST Self-timed Xmission
M Main Menu
```

<ESC><CR>

```
---GOES Transmitter B-696---
0 Initialization
1 Diagnostics
2 Enable Self-timed Transmissions
M Main Menu
```



4.3.1.3.A. INITIALIZATION

What follows is an example of an initialization of the GOES B696 transmitter with the PDAS in SELF-TIMED MODE with the following parameters:

- Transmission channel: 9
- Transmission interval: 3 hours
- Transmission offset time: 57 minutes past midnight GMT
- Greenwich Mean Time Offset: 4 hours (eg. transmissions from North Bay on EDT)
- Long preamble, 1 minute slot size
- GOES platform address: 48161450

0<CR>

NOTE - ALL TRANSMISSIONS WILL BE DISABLED!!
Press Enter to Continue! ESC to go back!

<CR>

---GOES INITIALIZATION

0 Set Date & Time

1 Set GOES Platform Address

2 Self-timed Mode

3 Append String to GOES Buffer

4 Reset Goes Configuration

5 TEST Self-timed Xmission

M Main Menu

⇒ 2<CR>

Enter B696 Fixed Xmtr Channel No. (1- 199)

09<CR>

Enter B696 Fixed Xmtr Channel No. (1- 199) 09

<CR>

Enter Self-Timed Tx Interval (hh:mm)

03:00<CR>

Enter Self-Timed Tx Interval (hh:mm) 03:00

<CR>

Enter GMT Offset (hh:mm)

04:00<CR>

Enter GMT Offset (hh:mm) 04:00

<CR>

Enter Transmission Offset Time (hh:mm)

00:57<CR>

Enter Transmission Offset Time (hh:mm) 00:57

<CR>

Enter Transmission Window Length

1 - 1 Minute Window

2 - 2 Minute Window

1<CR>

Enter Transmission Window Length 1

1 - 1 Minute Window

2 - 2 Minute Window

<CR>

Enter Satellite Link Parameters

0 Short Preamble 0.98 sec.

1 Long Preamble 7.3 sec.

1<CR>
Enter Satellite Link Parameters 1
0 Short Preamble 0.98 sec.
1 Long Preamble 7.3 sec.
<CR>
--GOES INITIALIZATION
0 Set Date & Time
1 Set GOES Platform Address
2 Self-timed Mode
3 Append String to GOES Buffer
4 Reset Goes Configuration
5 TEST Self-timed Xmission
M Main Menu

⇒ Select **0 Set DATE & TIME** as such:

0<CR>
DATE: 1999/03/03
1999/03/08<CR>
DATE: 1999/03/08
<CR>
Enter GMT Offset (hh:mm) 05:00
04:00<CR>
Enter GMT Offset (hh:mm) 04:00
<CR>
GMT Time: 14:53:12
RTC Time: 10:53:12
Enter RTC Time (hh:mm:ss)
10:54:05<CR>
GMT Time: 14:54:05
RTC Time: 10:54:05
Enter RTC Time (hh:mm:ss)
<CR>
Press Enter to start GOES Clock
<CR>

Note that it is imperative for GOES operations that the time be entered accurately with respect to standard time. Note that the PDAS clock is synchronized to the GOES transmitter clock every hour when using the B696 firmware.

⇒ Select **1 Set GOES Platform Address** as follows:

1<CR>
Enter GOES Platform Address (8 hex digits) 34383136
48161450<CR>
Enter GOES Platform Address (8 hex digits) 48161450
<CR>

⇒ Select **3 Append String to GOES Buffer** as follows:

3<CR>

Enter ASCII String

Message sent from station #123456 on April 14, 1999<CR>

Message sent from station #123456 on April 14, 1999

<CR>

⇒ Select **4 Reset Goes Configuration** as follows:

4<CR>

The GOES configuration would then be reset. From the *Diagnostics* menu the current configuration would be displayed as thus:

GOES Address: 00000000

Self-Timed Channel 00

Tx Interval 00:00

Offset Time 00:00

Tx Window (minutes) 1

Link Parameters - Long Preamble

Self-Timed Disabled

⇒ Select **5 TEST Self-timed Xmission** as follows:

5<CR>

WARNING!! This test must be performed into dummy load!

Any of the above selections requires that the transmitter be subsequently **REARMED**. This is done with **2 Enable Self-timed Transmissions** from the GOES Main Menu. The user should then enter the **Diagnostics** menu to determine if the configuration is as intended. Note that the user can press the <ESC> key to return to the GOES Main Menu after using the *Initialization* submenu.

4.3.1.3.B. DIAGNOSTICS

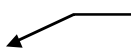
The user selects **1 Diagnostics** in order to determine if the Bristol transmitter is armed for transmission, if the GOES clock is set correctly and to determine the time to elapse for the next transmission to take place. A diagnostic should always be performed following “initialization” of the transmitter.

As mentioned previously, the *GOES Main Menu* is obtained from the Main Menu with **1 B696 GOES Setup** as follows:

1<CR>

```
---GOES Transmitter B-696---
0 Initialization
1 Diagnostics
2 Enable Self-timed Transmissions
M Main Menu
```

GOES Main Menu



1<CR>

```
---GOES DIAGNOSTICS---
0 Current Configuration
1 Current GOES Time (hh:mm:ss)
2 Time to Next Tx
3 Tx Buffer Status
M Main Menu
```

GOES Diagnostics Menu



⇒ Selection of **0 Current Configuration** from the Diagnostics Menu:

0<CR>

```
GOES Address: 48161450
Self-Timed Channel 09
Tx Interval 03:00
Offset Time 00:57
Tx Window (minutes) 1
Link Parameters - Long Preamble
Self-Timed Disabled
```

Note that the information above represents the manner in which transmissions will take place and is stored within the PDAS-II logger itself, NOT the transmitter. Unlike the B697, the B696 transmitter is controlled at a low-level by the PDAS-II logger. The configuration as shown above is stored within the logger and the transmitter is operated in accordance with that configuration. There is no memory space within the B696 transmitter that contains the configuration, nor is it required since all transmission protocols are directly controlled by the logger, byte-by-byte. Unlike the B697 therefore, there is no concern that the configuration, as shown with the selection **0 Current Configuration**, is somehow different from that stored in the logger due to power failure and such.

⇒ Selection of **1 Current GOES Time** from the Diagnostics menu:

1<CR>

GMT Time: 21:25:05 RTC Time: 16:25:05

Note that the PDAS clock is synchronized to the GOES transmitter clock every hour when using the B696 firmware. It is imperative for GOES operations that the time be entered accurately with respect to standard time. To do this use the *Initialization* menu.

⇒ Select **2 Time to Next Tx** as follows:

2<CR>

Time to Next Tx 00:42:31

This indicates that the next transmission will take place in 42 minutes and 31 seconds.

⇒ Select **3 Tx Buffer Status** as follows:

3<CR>

Current Buffer Size (bytes) 12

There are currently 12 bytes in the buffer.

4.3.2. Main Menu: VIEW DATA

The data from any given sensor may be read without having to look at the recorded values in the log file. View Data allows the user to access sensors instantaneously. By selecting item **2 VIEW DATA** of the Main Menu a sub-menu appears which lists the sensors in the *Sensor Log Table* for which one may access in real-time; polling and displaying data at a rate determined by the user.

The sensors are referenced by the slot number to which they were assigned in the log table (see *Main Menu: SENSOR LOG TABLE*). Suppose that a shaft encoder was assigned to slot #0 of the log table and you wish to view the current encoder position. Select item '2' from the Main Menu and slot #0 from the list of sensors as such:

-- VIEW SENSOR DATA --

HG=0, WT=1,

Select Log Slot 0 - 15

0<CR>

The print-out begins immediately after typing <CR>. A new line appears at regular intervals and includes the date, time, sensor label and data. For example, if the "view data period" is set to 3 second (see *Main Menu: SYSTEM SETUP*) the display would be as follows:

```
+1997/06/04 11:30:00 HG ==+1.00
+1997/06/04 11:30:03 HG ==+1.02
+1997/06/04 11:30:06 HG ==+1.02
+1997/06/04 11:30:09 HG ==+1.05  etc...
```

To stop the print-out simply press <CR>. Note that these are not values that are being logged as they are displayed but rather sensor data that is transmitted to your terminal as the result of real-time polling at a given rate.

In the example above slot#1 is occupied by parameter "WT". The user could therefore select '1' to view real-time data from that sensor.

4.3.3. Main Menu: SENSOR LOG TABLE

This selection requires PROGRAM-password clearance (see section 4.3 Host Menu Operation).

Selecting item **3 SENSOR LOG TABLE** from the Main Menu displays the following sub-menu:

-- SENSOR LOG TABLE --

0 - Display Log Table

1 - Reset Log Table

2 - Add/Edit sensor

3 - Clear Log Slot

4 - Toggle Log On/Off

5 - Log File Capacity

M - Main Menu

This is where the sensor log setup is done. The *Sensor Log Table*, which presents the setup parameters in a tabular format, lists the sensors and their corresponding logging parameters such as sampling rates and time intervals for both log entries and min/max entries.

⇒ Here is an example *Sensor Log Table* as displayed with item **0 - Display Log Table**:

Slot No.	Log Enable	Sensor Command	Sensor Label	Sampling Rate	Logging Rate	Min/Max Rate	Offset	Scale
0	1	1A1M0! /1	HG	01:00	00:15 - A	02:00		
1	0	1A2M0! /1	WT	01:00	00:15 - A	00:00		
2	0			00:00	00:00 - I	00:00		
3	0			00:00	00:00 - I	00:00		
4	0			00:00	00:00 - I	00:00		
5	0			00:00	00:00 - I	00:00		
6	0			00:00	00:00 - I	00:00		
7	0			00:00	00:00 - I	00:00		
8	0			00:00	00:00 - I	00:00		
9	0			00:00	00:00 - I	00:00		
10	0			00:00	00:00 - I	00:00		
11	0			00:00	00:00 - I	00:00		
12	0			00:00	00:00 - I	00:00		
13	0			00:00	00:00 - I	00:00		
14	0			00:00	00:00 - I	00:00		
15	0			00:00	00:00 - I	00:00		

Each row of the table is known as a slot (numbered from 0 to 15). A sensor must be entered in a slot to be monitored by the data logger and the values entered in each column determine how the sensor is monitored. The 16 slots (rows) allow up to 16 parameters to be monitored by the data logger. The function of each column is as follows:

Slot No. : This is just an index for the 16 slots. When using the “View Data” function the slot number is requested to determine which of the sensors is to be viewed.

Log Enable : This flag determines whether the current slot is active or not.
 1 - Logging is active (enabled)
 0 - Logging is inactive

In the sensor log table above, slot #0 is enabled.

Sensor Command : The first character of this string is in fact a flag used to identify whether the sensor is internal, SDI-12 or switched SDI-12 :

- 0 Internal sensor
- 1 SDI-12 sensor
- S +12V Switched SDI-12 sensor

In the sensor log table above, this field is set to ‘1’ for slot #0 because the slot is occupied by a SDI-12 sensor (an external SDI-12 shaft encoder).

The term *Internal sensor* applies, for instance, to the built-in shaft encoder which is present when the PDAS-II is ordered with option PSE/D (refer to 4.3.3.1 Internal Sensors). In this case a ‘0’ appears for the first character of the *Sensor Command*. Note that the built-in shaft encoder is set to address ‘A2’ and that the logger always assumes it to be at that address, i.e., do not change the address of the PSE/D. Also, if your PDAS-II is NOT shipped with the PSE/D option, address ‘A2’ may be used to set-up an external sensor an “internal” provided that the command “aM0!” is supported by the sensor. To do this simply set your sensor to address “A2” and enter it in the “*Sensor Log Table*” as an “*Internal Sensor*” as “*Shaft Encoder*”. Refer to 4.3.3.1 Internal Sensors.

The PDAS-II also features a switched 12 VDC power port for sensor activation. When a sensor is configured to be activated by the switched power port it appears in the sensor log table with a “S” for the first character of the *Sensor Command*.

The remainder of the string is the SDI-12 command that is used to initiate a measurement as well as the addition of an indicator such as ‘/1’ or ‘/8’. This indicator is used to support the ability of SDI-12

commands to return several parameters and specifies the desired parameter to be logged among those returned. The user can, for example, specify that the seventh parameter be logged by using '/7'.

In the sensor log table above, this field is set to 'AIM0! /1' in slot #0 because 'aM0!' is the correct command for measurement initiation of the SDI-12 sensor mounted on channel A at address 1 and we desire the first parameter of those returned, hence "/1".

Sensor Label : This is the label which will appear in the log file and is the only means of identifying a given sensor in the file. The string must be no longer than 8 characters.

Sampling Rate : The sampling rate is expressed in minutes and seconds. Therefore the shaft encoder of slot 0 (example above) is sampled at every 30 seconds.

Logging Rate : The rate at which samples are logged. This value is expressed in hours and minutes. Note that the PDAS has the ability of logging instantaneous or average values. When logging instantaneous values the unit simply logs the most recent sampled data from the sensor. This mode of logging is denoted by a "- I" next to the time interval in the sensor log table as shown above. When logging average values the unit calculates the mean of the data sampled from the sensor since the last logged entry. This mode of logging is indicated by "- A".

Min/Max Rate : The time interval between min/max entries is expressed in hours and minutes. The min/max values for any given time interval are updated internally every time the sensor is sampled as determined by the sampling rate. These values are then entered into the log file at a rate indicated for "Min/Max Rate".

Offset and Scale : The offset and scale are only invoked when the user selects the application of a linear transformation for the conversion of raw data (see below). These columns are left blank if they are not applicable. These values are expressed in the engineering units that you wish the sensor output to represent.

⇒ Sensors are added to the sensor table with menu item **2 - Add/Edit sensor**. For example, if the user wishes to enter the AMASSER PSE-SDI Shaft Encoder into log slot #0 as shown in the table above he/she would typically do as follows:

```
2<CR>
Select Log Slot 0-15
0<CR>
---SELECT SENSOR TYPE---
0 Internal Sensor
1 SDI-12 Sensor
S +12V Switched SDI-12 Sensor
1<CR>
Enter SDI-12 Port & Address: A(0-9) or B(0-9)    A1<CR>
Enter SDI-12 Port & Address: A(0-9) or B(0-9)    A1    <CR>
Enter SDI-12 Command: M(0-9) or R(0-9) or C(0-9)    M0<CR>
Enter SDI-12 Command: M(0-9) or R(0-9) or C(0-9)M0    <CR>
Enter Value Position: (1 - 9) 0
Enter Value Position: (1 - 9) 1<CR>
Sensor label:  HG<CR>
Sensor label:  HG    <CR>
Sampling Interval (mm:ss) 00:00                01:00<CR>
Sampling Interval (mm:ss) 01:00                <CR>
```

```

Logging Interval (hh:mm) 00:00      00:15<CR>
Logging Interval (hh:mm) 00:15      <CR>
Select Log Data Type  0
  0 Instantaneous
  1 Averaged
1<CR>
MinMax Log Interval (hh:mm) 00:00    02:00<CR>
MinMax Log Interval (hh:mm) 02:00    <CR>
Select Sensor Equation Type  0
  0 - None
  1 - scale*value + offset
0<CR>
Current Time - 12:32
Enter SAMPLING Start Time (hh:mm) 00:00
12:33 <CR>
Enter SAMPLING Start Time (hh:mm) 12:33 <CR>
Current Time - 12:32
Enter MinMax Start Time (hh:mm) 00:00
23:55<CR>
Enter MinMax Start Time (hh:mm) 23:55 <CR>

```

Log slot #0 would then appear as shown in the *Sensor Log Table* above. The **Log Enable** column will automatically become '1' at 12:33 as requested. The user also has the option of activating the slot manually with menu item **4 - Toggle Log On/Off**.

The operation of the PDAS with respect to **Start Time** is worth noting. In order to facilitate the set-up of the PDAS and to verify that logging will take place as anticipated, the first log entry occurs within one minute of the specified **Start Time** regardless of the *Logging Rate* specified in the *Sensor Log Table*. This useful feature allows the user to view a log entry without waiting for the logging interval to expire. For example, because the user specified a **SAMPLING Start Time** of 12:33 in the example above, the first log entry will occur prior to 12:34 in spite of the fact that the *Logging Rate* is 15 minutes. The result is that field installations are quickened.

Note that the use of a **Start Time** of '00:00' is for slots which are intended to be automatically enabled by an alarm (see 4.3.5). If a **Start Time** of midnight is desired, enter the value '24:00'.

It can be seen that the menu system is user-friendly and easy to use. The following can be noted from the above transaction:

- a non-switched port was selected in this case because of the low power consumption of the sensor in question
- the SDI-12 addresses are numbered from 0 to 9 on both channels "A" and "B" ,
- the user need not put "!" at the end of the SDI-12 command as this is done automatically by the logger,
- When prompted "**Enter value position (1-9)**" a "1" was entered since we desired the first of the parameters returned, that is, the encoder position (only one parameter is in fact returned in this case).
- the sampling interval is expressed in minutes and seconds whereas the logging and min/max intervals are expressed in hours and minutes,
- the user is given the option of logging instantaneous or average values,
- a linear transformation was not defined (**Select Sensor Equation Type**→none) because the sensor in question provides data in engineering units, and
- the user indicates when the logging shall begin. Note that the start time is expressed from 00:00 (midnight) to 23:59. It is recommended not to use a start time of 00:00 as this is used for scheduled internal routines.

Note that if a linear transformation is to be applied the user is prompted for the values for **Scale** and **offset**. For example:

```
Select Sensor Equation Type 0
0 - None
1 - scale*value + offset
1<CR>
Enter Sensor Scale (xxx.xxx) +0
0.375<CR>
Enter Sensor Scale (xxx.xxx) +0.375
<CR>
Enter Sensor Offset (xx.xxx) +0
10.2<CR>
Enter Sensor Offset (xx.xxx) +10.2
<CR>
```

The values '+0.375' and '+10.2' would then appear in their respective columns in the sensor log table. Note that the value for *scale* and *offset* must be within the range +/- 32.767.

Adding a switched SDI-12 sensor to the sensor log table is identical as the above except that the user must select "S" from the list of sensor types and be assured that the sensor is mounted to the switched SDI-12 port. The switched port is utilized to conserve energy when using sensors with relatively large power requirements and which do not require to sense a parameter continuously. In this configuration, the sensor is powered up 100 milliseconds prior to sending a measurement command. Upon receiving the response the sensor is turned off.

Here again is the *SENSOR LOG TABLE* submenu:

```
-- SENSOR LOG TABLE --
0 - Display Log Table
1 - Reset Log Table
2 - Add/Edit sensor
3 - Clear Log Slot
4 - Toggle Log On/Off
5 - Log File Capacity
M - Main Menu
```

Items '1', '3' and '4' are straightforward.

⇒ Item **1 - Reset Log Table** resets the entire log table.

⇒ Item **3 - Clear Log Slot** clears a log slot for future use.

⇒ Item **4 - Toggle Log On/Off** allows the user to manually enable or disable an occupied slot. Note that log slots are enabled automatically at the onset of the *Start Sampling Time* as specified when using **2 - Add/Edit sensor** (see above). Normal procedure when setting up a sensor in the *Sensor Log Table* requires the user to specify a *Start Sampling Time* rather than toggling the log slot manually.

⇒ Item **5 - Log File Capacity** is very useful for sensor setup and log file management. It determines the storage capacity, in days, based on the sensor setup as it appears in the *SENSOR LOG TABLE*. It also indicates the percentage of storage space remaining. This would be a typical display with item '5':

5<CR>

--- LOG FILE CAPACITY ---

Storage Capacity = 32768 records

Storage Capacity = 11.66 days

Storage Remaining = +25.59 %

This would indicate that the current sensor setup would allow 11.66 days of data acquisition before the memory would be full assuming the log file was empty. Since there is currently 25.59% of the storage remaining the memory should endure for 2.98 days.

Note that although the log file capacity results are determined based on the current sensor setup, they are irrespective of whether the slots are active or not. The actual endurance, therefore, will be equal or greater than that displayed.

Given that the logging patterns are impossible to predict for models with alarm functions, the results achieved from the "Log File Capacity" function may in fact be very different from the actual endurance for these models. Even in this case, however, the results are useful for determining the absolute minimum endurance that might transpire.

4.3.3.1. Internal Sensors

“Internal sensors” in this context refers to any parameter measured by the on-board Analog Input Subsystem (AIS) that is included with every PDAS-II as well as to the built-in shaft encoder for units shipped with option PSE/D. These parameters are listed when the user opts to enter an internal sensor into the *Sensor Log Table* for logging. Here is that list:

---SELECT SENSOR---

- 0 Ext1 Volts(0-5)
- 1 Ext2 Volts(0-5)
- 2 Ext1 Temperature
- 3 Ext2 Temperature
- 4 Ext3 Volts(0-16)
- 5 RTC Lithium V
- 6 Main Pwr V
- 7 Internal Temp
- 8 Shaft Encoder
- 9 Event Cnt1
- 10 Event Cnt2

Note that all the items listed above, except for **8 Shaft Encoder**, are accommodated by the AIS which is present in all PDAS-II units.

Item **8 Shaft Encoder** may be selected to set-up the built-in shaft encoder that is included with units equipped with option PSE or PSE/D. Otherwise, as noted in the previous section, selection **8 Shaft Encoder** may be used with PDAS-II units NOT equipped with PSE/D if the user wishes to configure an external SDI-12 sensor as “internal”. To do this simply set the external SDI-12 sensor to address ‘A2’ and select **8 Shaft Encoder** when entering the sensor into the *Sensor Log Table*. The user can henceforth configure this sensor using the *Internal Sensors* submenu as shown in 4.3.6 Main Menu: SYSTEM SETUP.

Adding an Internal Sensor to the *Sensor Log Table* is identical as for external sensors as shown in section 4.3.3 Main Menu: SENSOR LOG TABLE. Here is an example. The user wishes to monitor the primary source voltage by logging its instantaneous value six times a day and logging its min/max value once a day. From the **SENSOR LOG TABLE** submenu:

⇒ 2<CR>

Select Log Slot 0-15

2<CR>

---SELECT SENSOR TYPE---

- 0 Internal Sensor
 - 1 SDI-12 Sensor
 - S +12V Switched SDI-12 Sensor
- 0<CR>

---SELECT SENSOR---

- 0 Ext1 Volts(0-5)
- 1 Ext2 Volts(0-5)
- 2 Ext1 Temperature
- 3 Ext2 Temperature
- 4 Ext3 Volts(0-16)
- 5 RTC Lithium V
- 6 Main Pwr V
- 7 Internal Temp
- 8 Shaft Encoder
- 9 Event Cnt1
- 10 Event Cnt2

```

6<CR>
Sensor label:  PWR<CR>
Sensor label: PWR          <CR>
Sampling Interval (mm:ss) 00:00    15:00<CR>
Sampling Interval (mm:ss) 15:00    <CR>
Logging Interval (hh:mm) 00:00    04:00<CR>
Logging Interval (hh:mm) 04:00    <CR>

Select Log Data Type  0
0 Instantaneous
1 Averaged
<CR>
MinMax Log Interval (hh:mm) 00:00    24:00<CR>
MinMax Log Interval (hh:mm) 24:00    <CR>
Select Sensor Equation Type  0
0 - None
1 - scale*value + offset
<CR>
Current Time - 14:05
Enter SAMPLING Start Time (hh:mm) 00:00    14:06<CR>
Enter SAMPLING Start Time (hh:mm) 14:06    <CR>
Current Time - 14:05
Enter Min/Max Start Time (hh:mm) 00:00    23:58<CR>
Enter Min/Max Start Time (hh:mm) 23:58    <CR>

```

The *Sensor Log Table* would thus appear as follows:

Slot No.	Log Enable	Sensor Command	Sensor Label	Sampling Rate	Logging Rate	Min/Max Rate	Offset	Scale
0	1	1A1M0! /1	HG	01:00	00:15 - A	02:00		
1	0	1A2M0! /1	WT	01:00	00:15 - A	00:00		
2	0	06	PWR	15:00	04:00 - I	24:00		
3	0			00:00	00:00 - I	00:00		
4	0			00:00	00:00 - I	00:00		
5	0			00:00	00:00 - I	00:00		
6	0			00:00	00:00 - I	00:00		
7	0			00:00	00:00 - I	00:00		
8	0			00:00	00:00 - I	00:00		
9	0			00:00	00:00 - I	00:00		
10	0			00:00	00:00 - I	00:00		
11	0			00:00	00:00 - I	00:00		
12	0			00:00	00:00 - I	00:00		
13	0			00:00	00:00 - I	00:00		
14	0			00:00	00:00 - I	00:00		
15	0			00:00	00:00 - I	00:00		

4.3.4. Main Menu: LOG FILE RETRIEVAL

Item **4 - LOG FILE RETRIEVAL** of the Main Menu is used to retrieve records from the log file. The user is prompted with the following options:

```
---- Log File Functions ----  
0 - Status  
1 - Retrieve - No. of records  
2 - Retrieve - from date  
M - Main menu
```

The log file is viewed with either item '1' or '2'. Item **1 - Retrieve - No. of records** prompts the user for the number of records that he/she wishes to retrieve, i.e. display, whereas item **2 - Retrieve - from date** prompts the user for a date from which all records will be retrieved, up to and including that day. In order to determine the total number of log entries made as well as the amount of free memory use the "status" option. It is reasonable, therefore, to verify the status of the log file with item '0' before retrieving with either item '1' or '2'.

Note that if the user wishes to delete the Log file (note that this is not normally required since the PDAS uses a circular buffer) he/she uses the *SYSTEM SETUP* submenu (see *Main Menu: SYSTEM SETUP*).

⇒ Selection of **0 - Status** would be as follows:

```
0<CR>  
Storage Capacity = 32768  
Records Used = +31383  
Current reading = 15000  
Oldest reading = 16385  
Error Flag = 0
```

This indicates that logging is currently taking place in sector 4 of the flash memory (explained below), that no error has occurred and that the memory has "rolled-over" at least once.

The PDAS uses a "circular" buffer with 8 sectors for logging data so that when the flash is full, logging takes place over old records. The 8 sectors of the flash memory are of equal size, 4096 records, and are as follows:

Sector 1	Sector 2	Sector 3	Sector 4	Sector 5	Sector 6	Sector 7	Sector 8
1 to 4096	4097 to 8192	8193 to 12288	12289 to 16384	16385 to 20480	20481 to 24576	24577 to 28672	28673 to 32768

The non-volatile flash always contains the most recent records – a maximum of 32768. The **Oldest reading** is in fact the LOCATION of the oldest reading within the Log file which, in the example above, is the first record of sector 5. In fact, it is always the first record of a sector (with the exception of a Log file which has yet to roll-over for the first time) given that the PDAS clears all 4096 records present in a sector prior to logging the first record therein.

The **Current reading** is in fact the LOCATION where the last log entry took place, which in the previous example was 15000, that is somewhere in sector 4. Therefore, the values of both **Oldest reading** and **Current reading** determine where logging is taking place within the Flash memory.

The total number of records in the flash at any given time (if the buffer has rolled over at least once) is therefore equal to:

$$(7 \times 4096) < (\text{Total number of records}) < 32768$$

Also,

$$\text{Records Used} = 32768 - (16385 - 15000) = 31383$$

as in the previous example.

If the buffer has yet to roll-over for the first time selection **0 - Status** would be as follows:

0<CR>

Storage Capacity = 32768

Records Used = +15000

Current reading = 15000

Oldest reading = 0

Error Flag = 0

⇒ Selection **1 - Retrieve - No. of records** is as follows:

1<CR>

-- **UPLOAD -- Number of Records? xxxx**

16<CR>

AMASS Data Technologies Inc. PDAS/M 682

Firmware (c)William P.Thomas 1996,97,98

DATE: 1998/12/14

TIME: 16:52:32

UNIT ID NO: T359478

SITE DESCRIPTION: BILL'S HOBBIT HOLE

,1998/12/14,
HG , +0.000/15:06:56
HG , +0.000/15:06:56
HG , +0.0000/15:07:55
WT , +0.0000/15:21:55
HG , +0.0000/15:22:55
WT , +0.0000/15:36:55
HG , +0.0000/15:37:55
WT , +0.0000/15:51:55
HG , +0.0000/15:52:55
WT , +0.0000/16:06:55
HG , +0.0000/16:07:55
WT , +0.0000/16:21:55
HG , +0.0000/16:22:55
WT , +0.0000/16:36:55
HG , +0.0000/16:37:55
WT , +0.0000/16:51:55

Note that this is the Environment Canada “Sequential” format as described in RFSO KM#054-6-6084. In fact, the PDAS logger supports two data formats which are user-selectable from the *SYSTEM SETUP* submenu (refer to “Log File Functions” of 4.3.6 Main Menu: SYSTEM SETUP). The other data format is our AMASS Data Standard Format. The two formats are shown in *APPENDIX E: PDAS DATA FORMATS*.

Note that the log entries shown above correspond to the *Sensor Log Table* displayed in section *Main Menu: SENSOR LOG TABLE* (data of '+0.000' was used for simplicity):

- The SDI-12 parameter "WT" was logged at 15 minute intervals as requested: 15:21:55, 15:36:55, 15:51:55, etc...
- "HG" was logged at 15 minute intervals as requested: 15:07:55, 15:22:55, 15:37:55, 15:52:55, etc...
- Note that the double entries at time 15:06:56 are the "min/max" at every 2 hour as requested in the log table. The next entry would occur at 17:06:56
- No "min/max" entries appear for parameter "WT" because the log setup table did not request it (00:00 was entered as the Min/Max time interval).
- Apart from the Min/Max entries, all logged data is to 4 decimal places due to the fact that averaged values were requested in the *Sensor Log Table*. Instantaneous data is logged with 3 decimal places.

⇒ Selection **2 - Retrieve - from date** allows the user to retrieve records based on the date of entry.

2<CR>

- **Retrieve Archive back to (YYYY/MM/DD) -**

1998/12/16<CR>

All records dating from midnight of 1998/12/16 to the latest entry would then be archived.

4.3.5. Main Menu: SENSOR ALARM TABLE

This selection requires PROGRAM-password clearance (see section 4.2 *Host Menu Operation*).

Item **5 SENSOR LOG TABLE** of the Main Menu displays the *Sensor Alarm Table* for models with option 'Al'. For example:

Slot No.	Log Enable	Sensor Command	Sensor Label	UPPER Trip Value	Actions	LOWER Trip Value	Actions
0	1	1A1M0! /1	HG	>+23.40	do/E1	<+23.39	do/D1
1	0	1A2M0! /1	WT		- No Alarm Functions		
2	0				- No Alarm Functions		
					.		
					.		
					.		
15	0				- No Alarm Functions		

```
---SENSOR ALARM TABLE ---
1 ADD/EDIT Alarm Function
2 CLEAR Log Slot Alarms
M Main Menu
```

Note that the first four columns are identical as that in the *Sensor Log Table*. In fact, the *Sensor Alarm Table* is simply an extension of the *Sensor Log Table*. The former displays the alarm functions, if any, that are configured for all sensors as defined in the rightmost four columns.

The columns entitled **UPPER** and **LOWER Trip Value** are used to define the values at which the alarms are to be activated (see Figure 1 below) whereas those entitled **Actions** are used to define what is to take place when either trip value is surpassed.

⇒ The user configures alarms with item **1 ADD/EDIT Alarm Function**. To add an alarm to slot#0 as shown in the *Sensor Alarm Table* above proceed as follows:

```
1<CR>
---SENSOR SLOT ALLOCATION---
HG=0,WT=1,

Select Log Slot 0-15
0<CR>
Enter UPPER Trip > value +0
+23.40<CR>
Enter UPPER Trip > value +23.40 <CR>

Enter Upper Trip Actions (4 max.) No Actions
0 No Action/Proceed
D Disable Log Slot #
E Enable Log Slot #
C Activate Control Response
M Send Message Response
E<CR>
---SENSOR SLOT ALLOCATION---
HG=0,WT=1,
```

```

Select Log Slot 0-15
1<CR>
Enter Upper Trip Actions (4 max.) E1/
0 No Action/Proceed
D Disable Log Slot #
E Enable Log Slot #
C Activate Control Response
M Send Message Response
0<CR>
Enter LOWER Trip < value +0
+23.39<CR>
Enter Lower Trip Actions (4 max.) No Actions
0 No Action/Proceed
D Disable Log Slot #
E Enable Log Slot #
C Activate Control Response
M Send Message Response
D<CR>
Select Log Slot 0-15
1<CR>
Enter Lower Trip Actions (4 max.) D1/
0 No Action/Proceed
D Disable Log Slot #
E Enable Log Slot #
C Activate Control Response
M Send Message Response
0<CR>

```

Sensor slot#0 would then appear as shown in the *Sensor Alarm Table* above. In this example the user enabled slot#1 when the stage (HG) surpassed a specified value in order to begin monitoring the water turbidity (WT). This, in fact, is one of the simplest alarm configurations possible. Note that the user also specified that slot#1 be disabled when the stage level dropped below a certain value (23.39). This is important if you do not wish the triggered slot to remain active when the stage drops some time later to lower levels.

The terms *UPPER* and *LOWER Trip Value* require further explanation. These two values are, in fact, the same alarm point but are implemented to account for hysteresis as depicted in Figure 1, where the exact trigger points are shown for the alarm configured in the *Sensor Alarm Table* above. Given that the alarm is setup to be activated by the stage (HG) of slot#0, the following can be noted with respect to Figure 1:

→ Slot#1 will be enabled ONLY IF the stage increases beyond the values of both *LOWER AND UPPER Trip Value*

→ Slot#1 will be disabled ONLY IF the stage decreases below the values of both *UPPER AND LOWER Trip Value*

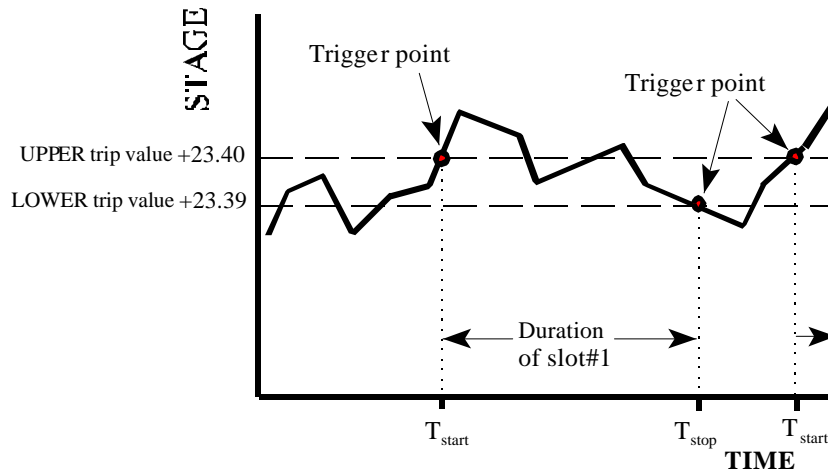


Fig. 1 Implementation of UPPER and LOWER trip values.

The alarm functionality of the PDAS loggers is in fact quite powerful. When configuring even the simplest of alarms, however, it is important to ask the following questions:

- Under what conditions do I desire to begin monitoring this parameter?
- Once triggered, when do I want to stop monitoring this parameter?
- Do I want to maintain the slot that serves as a trigger?
- If not, under what conditions, if any, do I desire to reinitiate the slot that served as a trigger?

For example, if the water level is being monitored as in slot#0 above, it may be desirable to increase the logging rate when the stage attains +23.40. In this case, it is necessary to enable a new slot which will include the same *Sensor Command* and *Sensor Label* (see section 4.2.3 Main Menu: SENSOR LOG SETUP) and simultaneously disable the current slot (slot#0). The *Sensor Alarm Table* would be as follows:

Slot No.	Log Enable	Sensor Command	Sensor Label	UPPER Trip Value	Actions	LOWER Trip Value	Actions
0	0	1A1M0! /1	HG	>+23.40	do/E1/E2/D0	<+23.39	do/No actions
1	0	1A2M0! /1	WT		- No Alarm Functions		
2	0	1A1M0! /1	HG	>+23.40	do/No actions	<+23.39	do/E0/D2/D1
3	0				- No Alarm Functions		
					.		
					.		
					.		

As shown in the *Sensor Alarm Table* above, the following actions would take place:

- Slots#1 and #2 would be enabled when the stage attains the value of +23.40
- Slot#0 would be disabled simultaneously as slot#1 and #2 are enabled
- When the stage drops below +23.39 slot#0 becomes enabled as slot#2 and #1 are disabled

In order for the new logging rate to be carried out when slot#2 is enabled the user must specify sampling and logging rates with the **SENSOR LOG TABLE** menu item as explained in section 4.2.3 *Main Menu: SENSOR LOG SETUP*. For example, the *Sensor Log Table* could look like this:

Slot No.	Log Enable	Sensor Command	Sensor Label	Sampling Rate	Logging Rate	Min/Max Rate	Offset	Scale
0	0	1A1M0! /1	HG	01:00	00:15 -A	02:00		
1	0	1A2M0! /1	WT	01:00	00:15 -A	00:00		
2	0	1A1M0! /1	HG	01:00	00:05 -A	01:00		
				.				
				.				
				.				
15	0			00:00	00:00 - I	00:00		

4.3.6. Main Menu: SYSTEM SETUP

This selection requires PROGRAM-password clearance (see section 4.2 *Host Menu Operation*).

Item **6 SYSTEM SETUP** of the Main Menu displays the following setup options:

---SYSTEM SETUP FUNCTIONS---

- 0 Log File Functions
- 1 Internal Sensors
- 2 View Data Period
- 3 Transparent SDI Mode
- 4 Change PASSWORD
- 5 Communications
- M Main Menu

⇒ Selection of **0 Log File Functions** yields the following:

---LOG FILE FUNCTIONS---

- 0 Erase Log File
- 1 Log File Header
- 2 Log File Format

0 Erase Log File deletes the entire contents of the log file. The user is prompted for confirmation before doing so.

1 Log File Header is used to edit the header information that appears when data is downloaded from the log file. This header information includes the unit identification number as well as a site description. For example,

```

1<CR>
UNIT ID NO:
T347857511023<CR>
UNIT ID NO: T347857511023
<CR>
SITE DESCRIPTION:
Marcel's desktop<CR>
SITE DESCRIPTION: Marcel's desktop
<CR>

```

2 Log File Format is used to select the desired data format when downloading from the log file. The two formats are AMASS Data's standard Excel-based format and Environment Canada's "Sequential" data format as shown in *APPENDIX E*.

Select Log File Format

- 0 - Excel/Lotus**
- 1 - Env.CDA Sequential**

1<CR>

Select Log File Format

- 0 - Excel/Lotus**
- 1 - Env.CDA Sequential**

<CR>

Note that if the user wishes to change the current format of downloaded data, he/she must erase the current contents of the log file so that future data entries are properly converted to the new format. Please refer to *APPENDIX E* for examples of these two data formats.

Here again is the *SYSTEM SETUP* submenu:

---SYSTEM SETUP FUNCTIONS---

- 0 Log File Functions**
- 1 Internal Sensors**
- 2 View Data Period**
- 3 Transparent SDI Mode**
- 4 Change PASSWORD**
- 5 Communications**
- M Main Menu**

⇒ Select **1 Internal Sensors** to configure internal sensors as follows:

--- INTERNAL SENSOR SETUP ---

- 0 Current Encoder Level**
- 1 Encoder Scale**
- 2 Event Cnt 1 Scale**
- 3 Event Cnt 2 Scale**
- 4 Event Cnt Mode**
- 5 Temperature Units**
- M Main Menu**

Selections '0' through '4' of this list are used for configuring the built-in shaft encoder included with options "PSE" or "PSE/D". Note that these options refer to a PSE-SDI(D) mounted into the same casing as the logger and set to address "A2" and that any external SDI-12 sensor set to address "A2" may also be configured as "internal" (refer to the paragraphs on the *Sensor Command* in 4.3.3 Main Menu: SENSOR LOG TABLE). Conversely, the built-in shaft encoder must not be changed to an address other than "A2" if it is to be configured as internal.

Selection '**5 Temperature Units**' is used for configuring the internal and external temperature inputs that are available to all PDAS-II units due to the on-board AIS (see 4.3.3.1 Internal Sensors).

⇒ Select **2 View Data Period** to set the time period for the View Data facility. For example, if the user wishes to change the period from 5 to 10 seconds enter the following:

```
2<CR>
Enter View Data Period (1- 60) sec - 5
10<CR>
Enter View Data Period (1- 60) sec - 10
<CR>
```

Sensor data would now be sampled and displayed with the View Data facility at the rate of once every 10 seconds, real-time. Note that the period may be set within 1 to 60 seconds and that the default setting is 5 seconds.

⇒ Select **3 Transparent SDI Mode** to operate the logger in transparent SDI-12 mode. In this mode the user enters SDI-12 commands that are encapsulated in the RS-232 data stream and relayed to sensors on the SDI-12 bus. Upon receiving an SDI-12 command the logger automatically performs all that is necessary for data retrieval, as prescribed by the SDI-12 protocol, which it then relays to the user. For example, if the AMASS Data PSE-SDI shaft encoder is mounted at address 1 on channel “A” the user may access it as such:

```
3<CR>
Enter SDI Command String: A(a(Command+parameters))!
A1M0!<CR>
10001+2.009
A1V0<CR>
10003+1+1+0
<CR>
```

The user may communicate in this manner with other SDI-12 sensors on the bus provided that the correct address is entered and that the command is supported by the sensor in question. Note that the “!” character need not be appended to the command as this will be done by the logger if it is omitted by the user.

When communicating with sensors the PDAS will display an error message in the event that a proper response was not received. Refer to APPENDIX A for a listing of these error messages. The SDI-12 transparent mode session is terminated by simply pressing <CR>.

⇒ Select **4 Change PASSWORD** for changing the password.

⇒ Select **5 Communications** to configure the communications as such:

```
5<CR>
Select Communications Port
0 - Programmer Port
1 - Modem Port
2 - SDI-12 Ports A
3 - SDI-12 Ports B
0<CR>
Set Prog. Port Baud Rate
0 - 300 Baud
1 - 1200 Baud
2 - 2400 Baud
3 - 9600 Baud
4 - 19200 Baud
4<CR>
```

By selecting **0 - Programmer Port** the user was able to change the baud rate of the programming port from the default value of 9600 to 19200. Note that such a change in the baud rate would require the user to modify the terminal emulator's settings accordingly. To do this using *Hyperterminal* simply click on *File*, then *Properties*, then *Configure*. Change the baud rate and click *OK*. Now click on *Disconnect* and *Connect* so that your changes take effect.

Selection of **1- Modem Port** allows the user to configure the modem port:

```
1<CR>
--- Modem Port ---
0 - Baud Rate
1 - AT init string
2 - AT hangup string
0<CR>
Set Modem Port Baud Rate 3
0 - 300 Baud
1 - 1200 Baud
2 - 2400 Baud
3 - 9600 Baud
4 - 19200 Baud
4<CR>
Set Modem Port Baud Rate 4
0 - 300 Baud
1 - 1200 Baud
2 - 2400 Baud
3 - 9600 Baud
4 - 19200 Baud
<CR>
```

Thus the modem port baud rate was changed to 19200 baud. Note that the default value is 9600 baud. Refer to section 5.3 *Connectors* for the proper connection of the modem to the auxiliary port. This section also includes a table showing the correct dip switch settings for your modem.

The **1 - AT init string** and **2 - AT hangup string** are used to customize the initialization and hangup strings of the modem.

'5 Communications' also allows the user to change the baud rate of the SDI-12 ports within the range of 300 to 19200. Note that the latter is defaulted to the current SDI-12 standard of 1200 baud (at time of printing), and that such ability is incorporated simply to accommodate revisions to the protocol and is thus not meant to be changed until such a revision occurs. Naturally, in order to be compatible with SDI-12 sensors the baud rate must be consistent with the latest standard. Please refer to the SDI-12 Support Group web site for the latest specification on the SDI-12 protocol at <http://www.sdi-12.org>.

4.4. GOES Data Retrieval

In order to access the GOES data that the antenna has transmitted the user must dial-up the central DAPS facility in Wallops, Virginia using a telnet session. Once connected to the internet through your local ISP proceed as follows if using Windows 95:

- Click on *Start*, then *Run*
- Type “telnet 128.154.62.173 ” and click *OK*

Now wait a moment until the DAPS prompt appears -- the telnet connection has been successful! Enter your username and password.

When the correct username and password has been accepted the user may enter the proper command for the downloading of data. Prior to doing so however, the user must begin logging the Telnet session so that the downloading of data is captured:

- Click on *Terminal* on the menu bar, then on *Start Logging...*
- Select a folder and filename for the capture file,
- click *Open*

Now assuming a platform number of 48161450, the user would type the following command at the prompt:

```
>DOWNLOAD MSG ID_PLATFORM 48161450<CR>  
>BEGIN DOWNLOAD? (Y/N)  
>Y<CR>
```

Once the data is downloaded the user stops logging the Telnet session as follows:

- Click *Terminal*, then *Stop Logging*.

Now disconnect from the DAPS system by typing “**BYE**”.

4.4.1. GOES Data Interpretation

Here is an example of data as downloaded from the DAPS system:

Platform ID
 Date of transmission: year 1998, day 295
 Time of transmission: 00:57 GMT
 Transmission strength information

4816145098295005722G50-0NN009EFF00145 ← 1st line is Header
 :HG 170 #180 +0.780 ← Single data are Min/Max entries
 :HG 285 #180 +0.628
 :HG 175 #15 +0.6280+0.7293+0.7800+0.7800+0.7800+0.7800+0.7800+0.7800+0.7800+0.7800+0.7800

Note that the first line is a header providing information with respect to the transmission itself. The lines that follow are the data accumulated by the PDAS since the last transmission. Here is the third such line as it appears in the example above:

:HG 175 #15 +0.6280+0.7293+0.7800+0.7800+0.7800+0.7800+0.7800+0.7800+0.7800+0.7800+0.7800

Most recent ↑
 A '+' or '-' serves as a delimiter
 Oldest reading
 Data interval: 15
 Time prior to Tx of the oldest reading: 175 min.
 Sensor label: Stage level or Gauge height 'HG'

The example depicts the stage level, HG, being recorded at every 15 minutes. The first reading in this line (+0.6280) was logged 175 minutes prior to transmission, that is at 22:02 GMT (the previous day). The second (+0.7293) was logged at 22:17 GMT, the third (+0.7800) at 22:32 GMT, and so on.

As explained in section 4.3.3 *Main Menu: SENSOR LOG TABLE*, the 'Sensor Log Table' is where the logging schedules are defined. In order to accomplish the data collection shown above, the *Logging Rate* would be set to '00:15' and the *Sensor Label* would be 'HG'. From the above we could also conclude that the PDAS logged average values of the stage level given that the data is recorded with four decimal places (instantaneous values appear with three).

Note that lines with single entries are Min/Max values. Here is the 'Max' reading as it appears above:

:HG 170 #180 +0.780 ← 'Maximum' reading
 Min/Max Interval: 180
 Occurrence of Max: 170 min. prior to Tx
 Sensor Label:

Note that the value for *Min/Max Rate* is 180 minutes in this example (Refer to section 4.2.3 regarding the 'Min/Max Rate'). The reading in this case was taken 170 minutes prior to transmission, that is, at 22:40 GMT. As explained in section 4.2.3, the Min/Max values are based on the samples as defined by the *Sample Rate*, therefore the accuracy in determining the minimum or maximum of the sensed value is dependent on the frequency of the sampling, that is, the *Sample Rate*.

As the PDAS/GOES performs its logging routines as defined in the *Sensor Log Table* (see 4.2.3 *Main Menu: Sensor Log Table*), it records data to both the internal flash, i.e. the log file, as well as to the internal PDAS GOES buffers. These internal buffers are 96 bytes in size, are numbered 0 to 15 and correspond to the sensor slots found in the *Sensor Log Table*. They are used so that data that is loaded into the transmitter is formatted to a fixed width. Note however, that only data that is logged according to the parameter *Logging Rate* appear in these buffers, that is, instantaneous or averaged data. Min/Max values do not use these buffers but rather are loaded immediately into the transmitter, which is why the Min/Max entries shown above have single readings only.

The user may view the contents of any of the sixteen GOES buffers if he/she wishes by exiting the menu and by typing:

G#<CR>

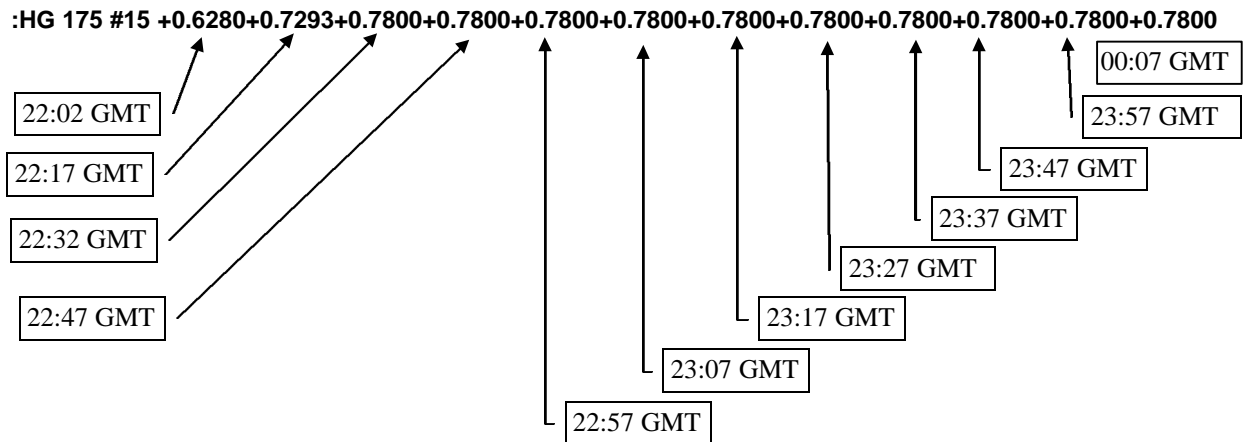
where # is the sensor slot number of the parameter whose status is desired. For instance, if the parameter labeled 'HG' occupies slot#0, then exit the menu and type 'G0<CR>' as follows:

G0<CR>

+0.6280+0.7293+0.7800+0.7800

which indicates that four readings have been loaded into the PDAS GOES buffer #0. When this buffer is full (96 bytes maximum) it is automatically loaded into the GOES transmitter buffer for transmission.

While reviewing the downloaded data keep in mind that the *Logging Rate* that appears in the header information at the beginning of every line is the value that was current when the *Oldest Reading* took place. Therefore, if the *Logging Rate* is altered when the GOES buffer is partially complete, the change will not be recorded until the next line in the script. For instance, in the example above the *Logging Rate* was set to 15 minutes. If this had been changed to 10 minutes when four readings had already been loaded into the corresponding GOES buffer, the header would nonetheless display an interval of 15 minutes:



The readings on the left occurred at 15 minute intervals but the remaining readings were logged at 10 minute intervals. In this scenario a second line of readings would appear in the transmission such as:

:HG 40 #10 +0.7800+0.7800+0.7800+0.7800+0.7800

Note the updated header information including the new *Logging Rate* of 10 minutes and the “time prior to Tx” of the *Oldest Reading* of 40 minutes, that is a time of occurrence of 00:17 GMT.

4.5. Direct Communications Commands

The PDAS-II supports a number of “*Direct Communications Commands*”. By *Direct Communications* we refer to communications that do not take place within the menu system. Simply exit the menu with 7 exit and try these commands:

Identification Command:

Command: I<cr>

Response: <identification string>

Example:

I<CR>

AMASS Data Technologies Inc PDAS/MDM C209

Therefore the unit is a PDAS data logger and is running the MDM firmware, version C209.

Direct Measurement Command:

command: M#<CR> where #: sensor slot number

response: <date of last sample ><time of last sample><sensor label><value of last sample>

example: The parameter “HG” is allotted to sensor slot #1 and you wish to view the most recent sample. Type this:

M1<CR>

1998/12/16 15:37:55 “HG” +9.123

The value for *HG* would only be updated with the next sample as defined by the *Sampling Rate* in the *Sensor Log Table*.

GOES Buffer Command:

command: G#<CR> where #: sensor slot number

response: <value><value><value><value>...

example: For instance, if the parameter labeled ‘HG’ occupies slot#0 and you wish to view the contents of the PDAS GOES buffer, type this:

G0<CR>

+0.6280+0.7293+0.7800+0.7800

Note that the contents of the PDAS GOES buffer is shown NOT the transmitter buffer itself. As explained in 4.4.1 GOES Data Interpretation, GOES-equipped loggers use 16 separate buffers which correspond to the 16 sensor slots. These GOES buffers acquire data at a rate defined by *Logging Rate* in the *Sensor Log Table*. Once any given one of the 16 GOES buffers is filled to its 96-byte capacity it is “flushed” into the transmitter buffer.

A/D Measurement Command:

command: MA#<CR> where #: analog input to measure
response: <converted value>

The analog inputs are assigned as follows:

Input #	Analog Input
0	0 -5V External Voltage
1	0 -5V External Voltage
2	External Temperature (0 - 2.5V input)
3	External Temperature (0 - 2.5V input)
4	0 - 16V External Voltage (9V bat with PSE/D option)
5	Lithium Battery (0 - 5V input)
6	Main Voltage (0 - 16 V voltage input)
7	Internal Temperature (0 - 2.5V input)

Example: Read the most recent A/D conversion of the Main Voltage:

Command: MA6<CR>
Response: 12.121

The remaining commands are most useful when accessing the logger using a computer with a dial-up program which will automatically send and receive data in order to download the log file. If such is the case the host computer need not enter the menu system but rather utilize the following *Direct Communications Commands*:

Log Status Command:

command: LS<CR>
response: <Log File Status>

example:

LS<CR>
Storage Capacity = 32768
Current Record = 4140
Oldest Record = 0
Error Flag = 0

Log Retrieval-by-Number Command:

command: LR+<"Entry" password>+<number of records to be downloaded><CR>
response: <Downloaded data with Header information>

example: You wish to download 4 records:

```
LR+AMASSER+4<CR>
AMASS Data Technologies Inc. PDAS/M 682
Firmware (c)William P.Thomas 1996,97,98
DATE: 1998/12/16
TIME: 10:25:36
UNIT ID NO: 01
SITE DESCRIPTION: Utopia
```

```
,1998/12/16,
HG , +0.973/06:42:59
HG , +0.973/07:42:59
HG , +0.973/08:42:59
HG , +0.973/09:42:59
```

Log Retrieval-by-Date Command:

command: LD+<"Entry" password>+<DATE of oldest record to be downloaded><CR>
response: <Downloaded data with Header information>

example: You wish to download all records that were logged on this day (current day is 1998/12/16):

```
LD+AMASSER+1998/12/16<CR>
AMASS Data Technologies Inc. PDAS/M 682
Firmware (c)William P.Thomas 1996,97,98
DATE: 1998/12/16
TIME: 10:25:36
UNIT ID NO: 01
SITE DESCRIPTION: Utopia
```

```
,1998/12/16,
HG , +0.973/00:42:59
HG , +0.973/01:42:59
HG , +0.973/02:42:59
HG , +0.973/03:42:59
HG , +0.973/04:42:59
HG , +0.973/05:42:59
HG , +0.973/06:42:59
HG , +0.973/07:42:59
HG , +0.973/08:42:59
HG , +0.973/09:42:59
```

If the user had entered "LD+AMASSER+1998/12/15<CR>", the PDAS would download all records that were logged from midnight of December 15th onward.

Note that the **Retrieval-by-Date** function can only be invoked once the clock has gone past midnight at least once.

5. Installation

5.1. Mechanical

The AMASSER PDAS loggers may be attached to a flat surface using screws or #10 bolts through the four holes located in the mounting brackets.

5.1.1. Shaft Encoder Setup

Models which feature the built-in shaft encoder (“PSE” and “PSE/D” options only) may be used to measure water level. For this purpose the unit may be attached to a horizontal or vertical surface in a gauge house with the shaft extending horizontally over the stilling well. A pulley is mounted to the unit by means of the aluminum clamping assembly which is threaded to the shaft. The clamping assembly accepts standard L&S or F&P pulleys. Any model may be used to indicate the position of any shaft which can be coupled or geared to the encoder shaft. With suitable mechanical coupling, linear positions may also be measured. For more information on the physical characteristics of the PDAS product line refer to *Specifications*.

The sensor may be installed in any orientation that a particular application may require. Weights or other mechanical loads at right angles to the shaft centre line should not exceed 10 lb (4.5 kg). Larger loads will distort the bearings, increase the starting torque, and decrease the bearing life.

5.2. Electrical

PDAS products are internally protected against transient voltages and lightning surges on the signal input lines. However,

IT IS ESSENTIAL TO PROVIDE PRIMARY EXTERNAL LIGHTNING PROTECTION.

5.3. Connectors

- 9 pin DB9S comm connector for serial RS-232 communications to your computer
- 9 pin AMP CPC connector for SDI-12 ports and +12 VDC power input (connects to optional **TS-DAS** terminal strip, see below)
- 15 pin DB15P auxiliary comm port for modem or GOES connection
- 28 pin AMP CPC for analog inputs and outputs (connects to optional **TS-AIS/DIN**)

Options:

TS-SDI/DIN terminal strip with 36 screw contacts for connecting SDI-12 sensors

TS-AIS/PNL terminal strip mounted on the logger enclosure for analog inputs and outputs (see Figure 3 below).

Or

TS-AIS/DIN terminal strip, DIN-mounted, for analog inputs and outputs (see Figure 4 below).

Assignments for the 9 pin AMP CPC connector are as follows:

SIGNAL	Cable color
+12 VDC Input	Red
Switched +12VDC output	Blue
Ground	Black
SDI-12 (A)	White
SDI-12 (B)	Green
none	Brown
none	none
none	none
none	none

The **TS-SDI/DIN** terminal strip is illustrated below for units so equipped (Figure 2). The **TS-SDI/DIN** connects to the 9 pin AMP CPC connector on the logger via a supplied cable to 'J1' as shown below. It allows easy hookup of the SDI-12 sensors as well as power supply connections. Note that channel B is configurable for standard SDI-12 use OR for RS485-based SDI-12 communications which enables data lines of up to 1200 metres (4000 ft). However, this feature is only intended for sensors with such capability such as AMASS Data's PSE-SDI (rev D and later).

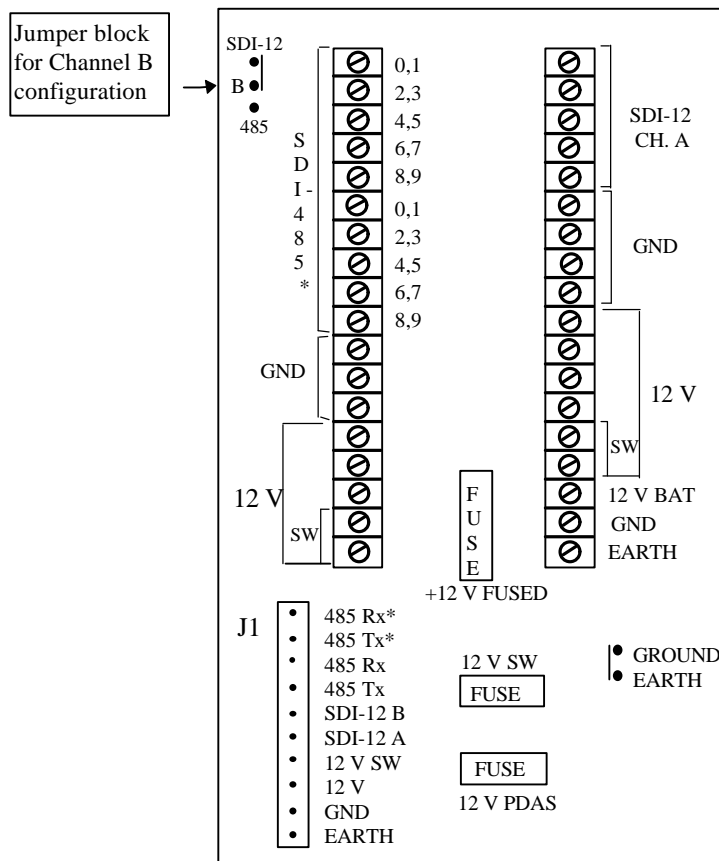


Figure 2. The layout of the **TS-SDI/DIN** terminal strip.

All PDAS-II units are equipped with analog capability. For units without the **TS-AIS/PNL** or **TS-AIS/DIN** terminal strip options, a 28 pin AMP CPC connector is mounted for the analog inputs and outputs. This connector is as follows:

PIN	SIGNAL
1	Analog channel 2 (External Temp.)
2	Analog GND
3	Analog channel 5 (0-5V Ext.)
4	Analog channel 1 (0-5V Ext.)
5	Analog GND
6	Analog GND
7	Analog GND
8	Analog channel 6 (Primary Voltage: 0-20V)
9	Analog channel 0 (0-5V Ext.)
10	Analog GND
11	Analog channel 3 (External Temp.)
12	Analog channel 4 (0-20V Ext.)
13	Analog GND
14	Analog channel 7 (Internal Temp.)
15	Analog GND
16	5VDC ref.
17	5VDC ref.
18	5VDC ref.
19	5VDC ref.
20	Analog GND
21	2.5 VDC ref.
22	2.5 VDC ref.
23	Event Counters GND
24	250 λ A constant source
25	250 λ A constant source
26	EARTH Gnd *
27	Event Counter #1 *
28	Event Counter #2

* Note that all rev.D loggers are as shown above. For Rev.C loggers make the following change: pin 26 for Event Counter #1 and pin #27 is not connected.

For units equipped with the **TS-AIS/PNL** option the PDAS-II enclosure comes with a built-in terminal strip for hook-up of analog inputs and outputs as shown in Figure 3 below:

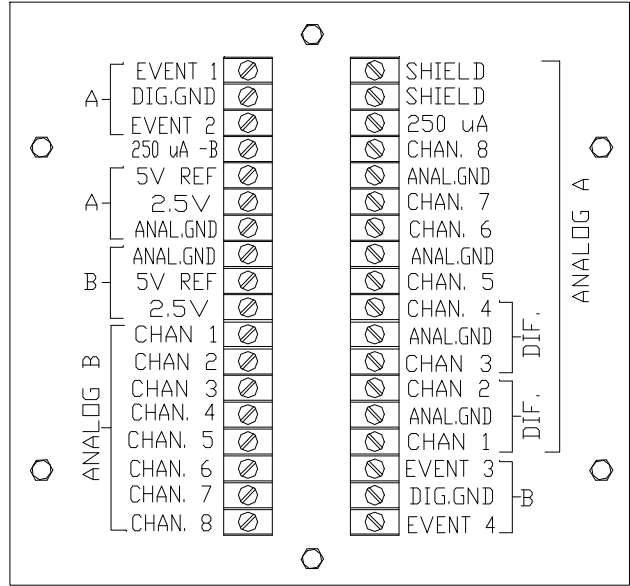


Figure 3. **TS-AIS/PNL** terminal strip layout.

For units equipped with the **TS-AIS/DIN** terminal strip option, the analog inputs and outputs are as shown in Figure 4 below. Note that this DIN-mounted terminal strip is connected to the 28-pin AMP CPC.

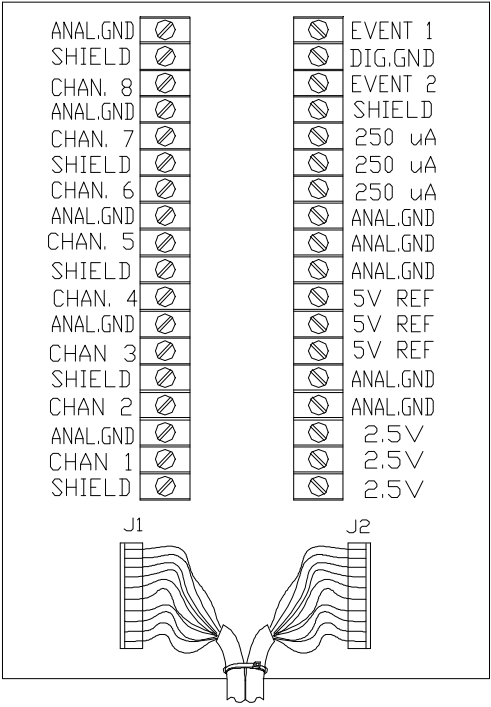


Figure 4. **AIS-DIN** terminal strip layout.

Modem Switch Settings

Switch number	Switch position	Description
1	ON	Data Terminal Ready Override
2	OFF	Verbal Result Codes
3	OFF	Suppress Result Codes
4	ON	Suppress echo
5	OFF	Auto Answer Enabled
6	OFF	Carrier Detect Normal
7	ON	Load Factory Defaults
8	ON	Smart Mode

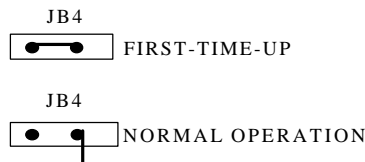
6. Maintenance

Maintenance of any PDAS logger is very minimal. The only components which eventually require replacement are batteries.

All units include a Lithium battery which is used to run the clock and back-up the RAM space which stores the date, time, unit identification number, GOES configuration and sensor set-up. The voltage of the Lithium battery can of course be monitored by the on-board AIS by selecting **RTC Lithium V** from the internal sensor list as shown in section 4.3.3.1 Internal Sensors. However, monitoring the voltage of the Lithium does reduce its life expectancy down to approximately 5 years. Otherwise the life expectancy is about 10 years.

To replace the Lithium battery :

- Disconnect power.
- Open the logger by unscrewing the front panel.
- Locate the Lithium battery (see *Appendix F*) and replace.
- Install the jumper in JB4 (see *Appendix F*) for First-Time-Up (see below). This is to ensure that the unit is properly initialized.
- With the panel still removed connect power and ensure that the logger is properly initialized by communicating via your terminal which is connected to the programming port (9600 baud, 8 data bits, 1 stop bit, no parity, no flow control).
- Set the date and time then place the jumper in JB4 back in the normal operation position.
- Screw the panel back on and that's it.



The 9 volt battery that is included with option PSE/D (built-in shaft encoder) serves to ensure continuous power to the shaft encoder which enables absolute tracking in the event of power interruptions. Unlike the Lithium battery, the 9 V unit does NOT draw current continuously but rather, only when the primary power source has been interrupted. Therefore, its life expectancy is entirely dependent on its use. The voltage of this battery is monitored by the on-board AIS by selecting **Ext3 Volts(0-16)** from the internal sensor list as shown in section 4.3.3.1 Internal Sensors and install a jumper in "E3" (See *App. F*). Replace when the voltage drops below 7 V.

7. Specifications

Processor - Atmel 89S8252 @ 11.0592 MHz.
Internal RAM - 256 bytes RAM

External Memory

site 1 - 32 kbytes SRAM (Lithium battery backup)
site 2 - 8 slots of 64 kbytes each (Am29F040
PROM/EEPROM)
sites 3&4 - 1 Mbyte non-volatile flash (32768
records)

Connectors

- 9 pin DB9S comm connector (RS-232)
- 9 pin AMP CPC (SDI-12, +12VDC input)
- 15 pin DB15P comm for modem and GOES
- 28 pin AMP CPC for Analog Inputs and Event Counters

Options:

- **TS-SDI/DIN:** DIN-mounted, 36 screw terminal strip for easy SDI-12 sensor and power supply hookup
- **TS-AIS/PNL:** Built-in terminal strip for analog inputs and outputs
- **TS-AIS/DIN:** DIN-mounted terminal strip for analog inputs and outputs

AIS Input

Primary Voltage: (0 - 16V)
Lithium Battery Voltage (0-5V)
Internal Temperature (0 - 2.5V)
9V bat. Voltage (0-16V) with PSE/D option
Two Ext. Voltage (0-5V)
Two External Temp. (0 - 2.5V)

AIS Output

2.5V and 5V reference
250 microAmp current source

GOES Support

The following are available (see price list):

- Support for Telonics TGT-1
- Support for Bristol B697
- Support for Bristol B696

The above information is believed to be true at the time of printing. AMASS Data Technologies Inc. reserves the right to modify specifications without notice. All trademarks are owned by their respective companies.

AMASS Data Technologies Inc.

34 Chemin Helene, Val des Monts, QUEBEC J8N 2L7

TEL: 819 457-4926 FAX 819 457-9802

Email: amassinf@amassdata.com

Web page at <http://www.amassdata.com>

Environmental Characteristics

Operating : -40 to +55 C
Storage : -60 to +100C
Humidity : <= 100% non-condensing

Battery Backup

Standard CR2032 3VDC Lithium battery RAM backup (date, time, unit no., site description, sensor setup).

Event Counter Input

2 ports included with AIS
20 msec closure
Resolution - 16 bit
Rollover or Reset selectable
Pulse or Switch Closure selectable

Power Consumption

< 20mA w/o comm port connected
< 45mA w/ comm port connected
Max. current < 100 mA with "PSE/D" display on

Real Time Clock

Motorola, adjusted to +/- 15ppm per year

Physical Characteristics

Basic Models:

Height - 152.0 mm. (6.0 in.)
Width - 228.6 mm. (9.0 in.)
Depth - 70.0 mm. (2.75 in.)
Weight - 1 Kg (2.2 lb.)
Mounting - Two brackets, add 5mm. (0.2 in.)

Models with built-in shaft encoder (PSE/D):

Height, Width and Depth as above
Weight - 1.2 Kg (2.64 lb.)
Mounting - Two brackets, add 5mm. (0.2 in.)

APPENDIX A: COMMUNICATIONS ERROR MESSAGES

While communicating with the PDAS via a direct connection or modem the following messages may be displayed. Note that the PDAS is multi-tasking and that the SDI-12 communications and data logging take precedence over RS232.

<u>SDI-12 Communications Error Messages</u>	
<u>ERROR NUMBER</u>	<u>MEANING</u>
1	Timeout waiting for address of initial response
2	Timeout waiting for address following D0! command
3	Character timeout – D0! Response string
4	Character timeout – Initial Response string
5	Waiting for Tx to finish

APPENDIX B: GOES Bristol B697 Mode Table

When initializing the B697 transmitter the user specifies its operating parameters using a mode number. The following mode table can be found in the original user's manual of the B697 and has been transcribed here for added convenience.

ASCII char. MODE	Preamble 1 = long 0 = short	Slot size 1 = 2 min 0 = 1 min	Timing Pulse 1=1 PPS 0= 1 PPM	Self-timed only	Self-timed &Alarm rate random	Regular random & Alarm rate random
@	0	0	0	1	0	0
B	0	0	0	0	1	0
C	0	0	0	0	0	1
D	0	0	1	1	0	0
F	0	0	1	0	1	0
G	0	0	1	0	0	1
H	0	1	0	1	0	0
J	0	1	0	0	1	0
K	0	1	0	0	0	1
L	0	1	1	1	0	0
N	0	1	1	0	1	0
O	0	1	1	0	0	1
P	1	0	0	1	0	0
R	1	0	0	0	1	0
S	1	0	0	0	0	1
T	1	0	1	1	0	0
V	1	0	1	0	1	0
W	1	0	1	0	0	1
X	1	1	0	1	0	0
Z	1	1	0	0	1	0
;	1	1	0	0	0	1
<	1	1	1	1	0	0
>	1	1	1	0	1	0
?	1	1	1	0	0	1

APPENDIX C: PSE Shaft Encoder Commands

Retrieve Data Commands

1. Get encoder value in scaled units
 - command: aM!, aM0!, aC! or aC0!
 - response: a0001<cr><lf> data buf: <encoder value>
2. Get minimum or maximum values
 - command: aM1! or aC1! (maximum); aM2! or aC2! (minimum)
 - response: a0001<cr><lf> data buf <min> or <max>
3. Start verification command
 - command: aV! or aV0!
 - response: a+<data buffer 1>+<data buffer 2>+<data buffer 3><cr><lf>
4. Get event counter values
 - command: aM3! or aC3! (event counter 1); aM4! or aC4! (event counter 2)
 - response: a0001<cr><lf> data buf <event count 1> or <event count 2>
5. Return data buffer
 - command: aD! or aD0! Response: a<data buffer><cr><lf>
6. Read encoder value in scaled units
 - command: aR! or aR0! Response: a<data buffer><cr><lf>
7. Read minimum and maximum values
 - command: aR1! (maximum) or aR2! (minimum) Response: a<data buffer><cr><lf>
8. Read the event counter values
 - command: aR3! (event counter 1) or aR4! (event counter 2)
 - response: a<data buffer><cr><lf>
9. Return identification string
 - command: aI! Response: a<identificationstring><cr><lf>
10. Acknowledge active command
 - command: a! Response: a<cr><lf>
11. Address query command
 - command: ?! Response: a<cr><lf>
12. Change SDI device (node) address
 - command: aA<new address>! Response: <new address><cr><lf>

Set Commands

1. Set encoder offset
 - command: aS0<offset>! Response: a<cr><lf>
2. Set encoder scale (units per revolution)
 - command: aS1<scale>! Response: a<cr><lf>
3. Set mode of event counters (\Ev models only)
 - command: aS2+<mode for event counters>! (refer to APPENDIX D for mode codes)
 - response: a<cr><lf>
4. Set scale of event counters (\Ev models only)
 - command: aS3+<scale>! (counter 1) or aS4+<scale>! (counter 2)
 - response: a<cr><lf>
5. Reset event counters
 - command: aS5! Response: a<cr><lf>

APPENDIX D: MODE CODES FOR EVENT COUNTERS

The following is applicable to models with built-in event counters such as the option “/PSE/D”. The mode of the event counters is normally set from within the menu system with “*Internal Sensors*” under the *System Setup* submenu. For event counters that are not “internal”, the user must use the “SDI-12 Transparent Mode” from within the *System Setup* submenu. For example, a PSE-SDI set to address 3, channel A would require the following command, as shown in *APPENDIX C*, to set the mode to ‘6’:

A3S2+6!

EC1 = Event Counter#1 (blue wire)

EC2 = Event Counter#2 (green wire)

Mode code	EC2 R/R or Overflow	EC 2 Pulse or Switch	EC1 R/R or Overflow	EC 1:Pulse or Switch
0	Overflow (0)	Switch Closure(0)	Overflow (0)	Switch Closure(0)
1	Overflow (0)	Switch Closure(0)	Overflow (0)	Pulse (1)
2	Overflow (0)	Switch Closure(0)	Read/Reset (1)	Switch Closure(0)
3	Overflow (0)	Switch Closure(0)	Read/Reset (1)	Pulse (1)
4	Overflow (0)	Pulse (1)	Overflow (0)	Switch Closure(0)
5	Overflow (0)	Pulse (1)	Overflow (0)	Pulse (1)
6	Overflow (0)	Pulse (1)	Read/Reset (1)	Switch Closure(0)
7	Overflow (0)	Pulse (1)	Read/Reset (1)	Pulse (1)
8	Read/Reset (1)	Switch Closure(0)	Overflow (0)	Switch Closure(0)
9	Read/Reset (1)	Switch Closure(0)	Overflow (0)	Pulse (1)
10	Read/Reset (1)	Switch Closure(0)	Read/Reset (1)	Switch Closure(0)
11	Read/Reset (1)	Switch Closure(0)	Read/Reset (1)	Pulse (1)
12	Read/Reset (1)	Pulse (1)	Overflow (0)	Switch Closure(0)
13	Read/Reset (1)	Pulse (1)	Overflow (0)	Pulse (1)
14	Read/Reset (1)	Pulse (1)	Read/Reset (1)	Switch Closure(0)
15	Read/Reset (1)	Pulse (1)	Read/Reset (1)	Pulse (1)

R/R: stands for ‘Read/Reset’. In this mode the event counter is cleared upon sampling. If the count exceeds the 16-bit maximum (65536) prior to sampling it overflows to 0 and starts over.

OVERFLOW: Otherwise known as ‘roll-over’, in this mode the event counter is cumulative. When the count exceeds the 16-bit maximum (65536) it overflows to 0 and starts over.

PULSE: In this mode the event counters are set to count pulses. The maximum frequency is 5 kHz.

SWITCH CLOSURE: In this mode the event counters are set to count switch closures and accommodate moderately noisy signals which are typical of switch closures. The minimal period of the closure is 20 msec.

APPENDIX E: PDAS Data formats

The PDAS supports two data formats in its log file and these are shown below. The data format in use is user-selectable from *Log File Functions* from within the *SYSTEM SETUP* submenu. All subsequent data retrievals from the logger will conform to the chosen format.

There are two main differences between the two formats: the chronological order of the records and the way in which the date/time stamping occurs.

- With the AMASS Data Standard Format, records appear in reverse chronological order and date/time stamping occurs for every single record.
- With the Environment Canada Sequential Data Format, records appear in chronological order. Date stamping only occurs once a day.

ENVIRONMENT CANADA "SEQUENTIAL" FORMAT	AMASS DATA STANDARD FORMAT
AMASS Data Technologies Inc. PDAS/M 682 Firmware (c)William P.Thomas 1996,97,98 DATE: 1997/09/20 TIME: 16:52:32 UNIT ID NO: T359478 SITE DESCRIPTION: BILL'S HOBBIT HOLE , 1997/09/20, HG , +0.000/15:06:56 HG , +0.000/15:06:56 HG , +0.0000/15:07:55 WT , +0.0000/15:21:55 HG , +0.0000/15:22:55 WT , +0.0000/15:36:55 HG , +0.0000/15:37:55 WT , +0.0000/15:51:55 HG , +0.0000/15:52:55 WT , +0.0000/16:06:55 HG , +0.0000/16:07:55 WT , +0.0000/16:21:55 HG , +0.0000/16:22:55 WT , +0.0000/16:36:55 HG , +0.0000/16:37:55 WT , +0.0000/16:51:55	AMASS Data Technologies Inc. PDAS/M 682 Firmware (c)William P.Thomas 1996,97,98 DATE: 1997/09/20 TIME: 16:52:32 UNIT ID NO: T359478 SITE DESCRIPTION: BILL'S HOBBIT HOLE +1997/09/20 16:51:55 "WT" +0.0000 +1997/09/20 16:37:55 "HG" +0.0000 +1997/09/20 16:36:55 "WT" +0.0000 +1997/09/20 16:22:55 "HG" +0.0000 +1997/09/20 16:21:55 "WT" +0.0000 +1997/09/20 16:07:55 "HG" +0.0000 +1997/09/20 16:06:55 "WT" +0.0000 +1997/09/20 15:52:55 "HG" +0.0000 +1997/09/20 15:51:55 "WT" +0.0000 +1997/09/20 15:37:55 "HG" +0.0000 +1997/09/20 15:36:55 "WT" +0.0000 +1997/09/20 15:22:55 "HG" +0.0000 +1997/09/20 15:21:55 "WT" +0.0000 +1997/09/20 15:07:55 "HG" +0.0000 +1997/09/20 15:06:56 "HG" +0.000 +1997/09/20 15:06:56 "HG" +0.000

APPENDIX F: PDAS-II CIRCUIT BOARD

